

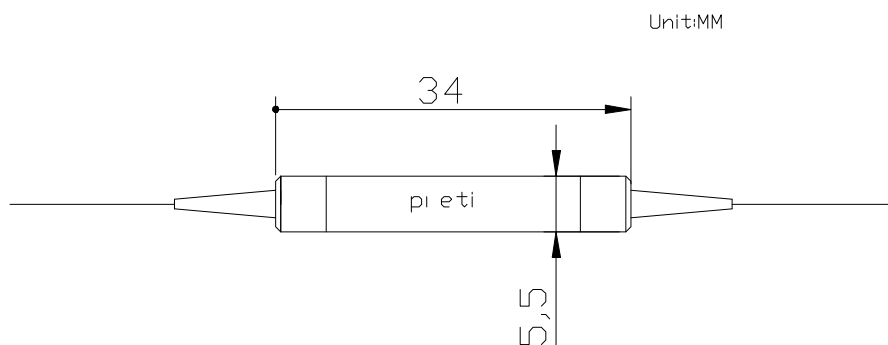
Gain Flattening Filter for EDFA (GFF)

Features	
Low Insertion Loss	
Flat Spectral Gain	
High Stability and reliability	
Application	
EDFA	

Specifications

Parameter	Value
Wavelength Range C-band (nm)	1528 ~ 1565
Insertion Loss (dB)	< 0.6
Peak to Peak Error Function (dB)	< 0.5
Polarization Dependent Loss (dB)	< 0.1
Return Loss (dB)	> 50
Maximum Power Handling (mW)	500
Operating Temperature (°C)	0 ~ +70
Storage Temperature (°C)	-40 ~ +85
Dimensions (mm)	Dia 5.5xL34

Packaging Dimensions



Ordering Information

GFF	Port Type	Wavelength	Pigtail Type	Fiber Type	Length	Connector
	1x1	1550	250=250um bare fiber 900=900um loose tube	1=SMF-28e	1= 1m	NE=None FA=FC/APC FC=FC/UPC SA=SC/APC SC=SC/UPC LC=LC/UPC LA=LC/APC MU=MU/UPC XX=Other