

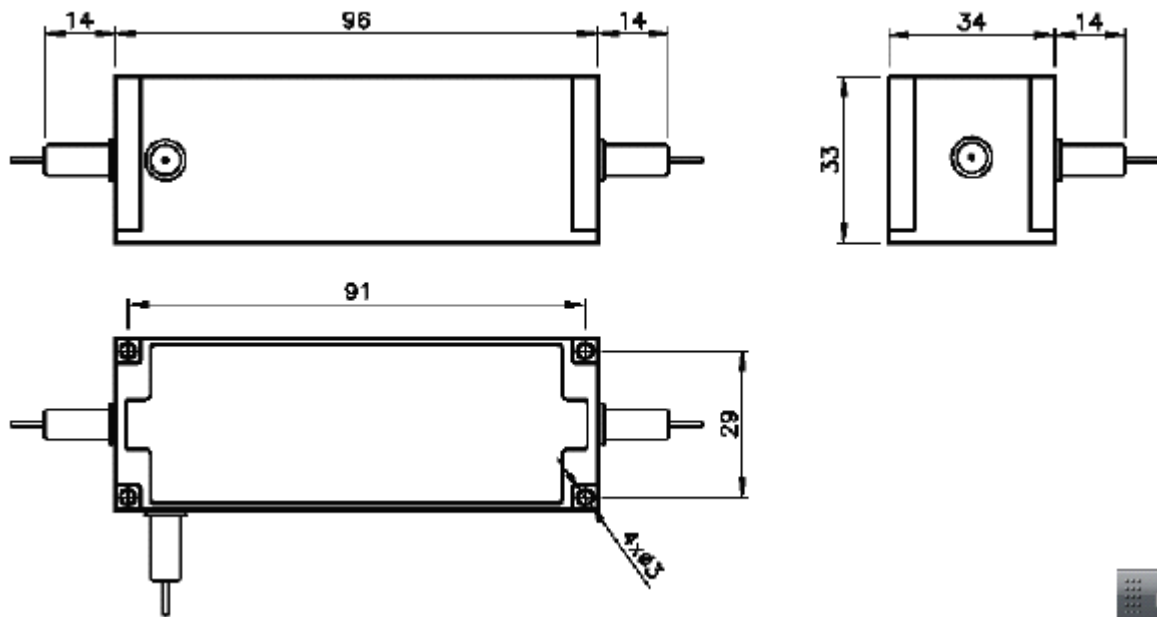
## Polarization Independent Optical Circulator (850,980nm)

<b>Features</b>	
High isolation & High Return Loss Low insertion loss & PDL Optical Path Epoxy Free	
<b>Application</b>	
Fiberoptic Amplifier	
CATV Fiberoptics Link	
Fiberoptic Systems Testing	
Fiberoptic LAN Systems Telecommunications	

### Specifications

Parameter \ Type	3 Port
Operating wavelength (nm)	850,980
Bandwidth(nm)	$\pm 10$
Isolation(dB)	$\geq 20$ (Typ.25dB)
Insertion Loss (dB)	$\leq 1.8$ , (Typ 1.3)
PDL (dB)	$\leq 0.2$
Return loss (dB)	$\geq 50$
WDL(dB)	$\leq 0.2$
Cross Talk (dB)	$\geq 45$ (Typ 50)
Power handling (mW)	$\leq 300$
Fiber Type	HI780 or HI980 or specify
Fiber Length (m)	0.8
Operating temperature (°C)	0 ~ +70
Storage temperature (°C)	-40 ~ +85
Dimensions (mm)	96x34x33

### Package Dimensions



### Ordering Information

CIR	Type	Wavelength	Pigtail Type	Fiber Type	Length	Connector
	3=3 Port	<b>850</b>	900=900um	HI1060	1= 1m	NC=None
	4=4 Port	<b>980</b>	loose tube	HI980		FC=FC/UPC
			3000=3mm	HI850		SC=SC/UPC
			loose tube			FA=FC/APC
						SA=SC/APC
						ST=ST/UPC
						LC=LC/UPC
						xx=Others