

Laser Safety Curtains Installation and Hardware

For questions, contact Laservision at **1-800-393-5565**.

Systems are comprised of straight tracks or combined with curved tracks. Tracks are roll-formed to be 1.44" wide by 1.25" tall and include safety flanges that provide wheel guidance for the trolleys. Straight tracks are 10 feet long by default but can be cut to any size. Curved tracks create round corners in the system for continuous movement of the curtain with a 2' radius 90° bend. All hardware is made of 16 gauge galvanized steel.

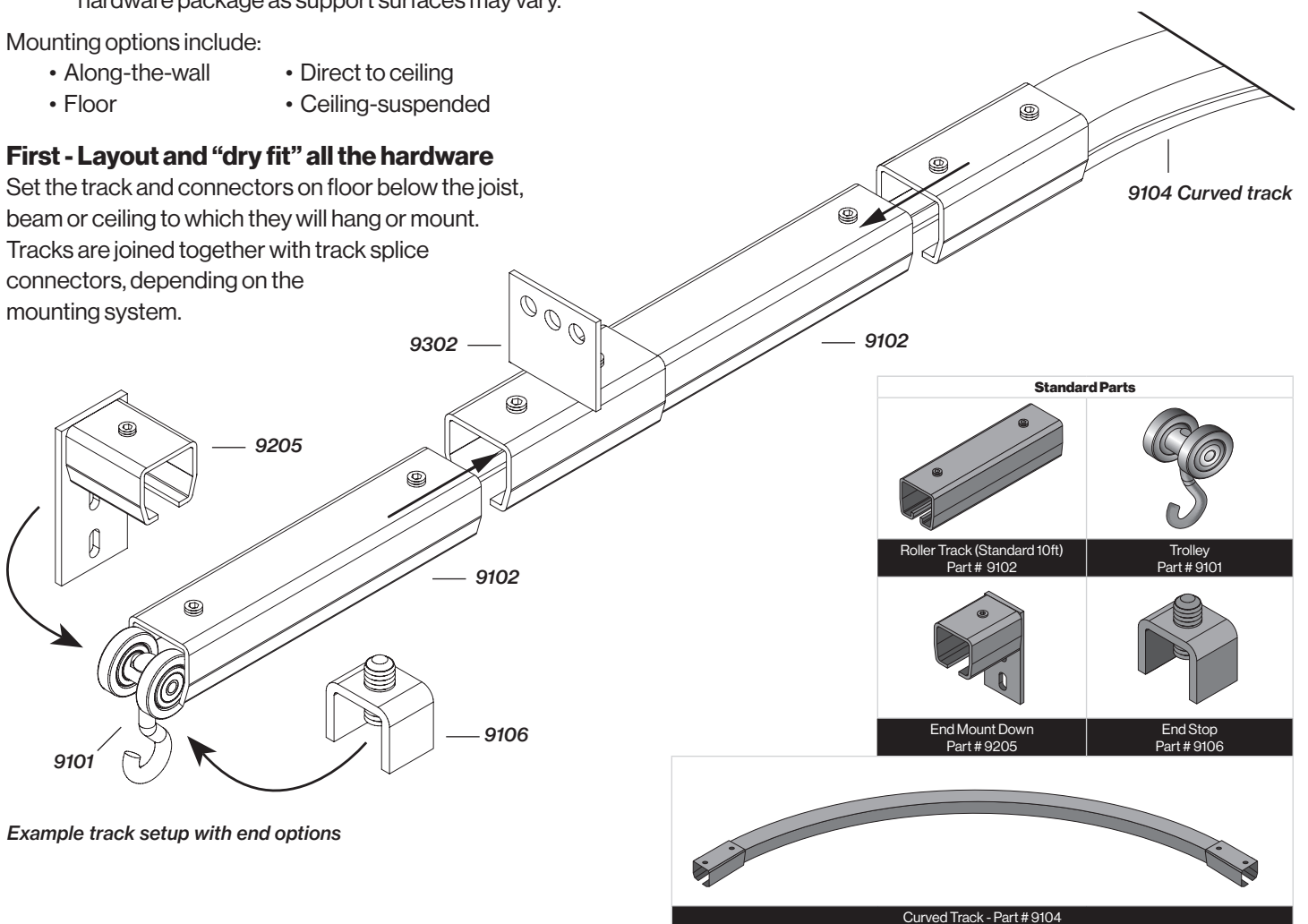
NOTE: Nuts, bolts and screws are not included in the hardware package as support surfaces may vary.

Mounting options include:

- Along-the-wall
- Direct to ceiling
- Floor
- Ceiling-suspended

First - Layout and "dry fit" all the hardware

Set the track and connectors on floor below the joist, beam or ceiling to which they will hang or mount. Tracks are joined together with track splice connectors, depending on the mounting system.



Example track setup with end options

Wall and Ceiling Mounts

If you are mounting against the back of the wall, along side a wall, or a ceiling, start with the splice mounts first. Be sure that the dimensions from the bottom of the straight track to the floor is the same height of the curtain you ordered (i.e. 9', 10', 11', 12' high etc.). Next, fasten the mount directly to the surface using the appropriate anchors or bolts. Slide the end of the straight track into the end of the wall mount making sure the holes are lined up. Then insert and tighten the inset screw. Repeat these steps for multiple ceiling or wall mounts.

For suspended mounts in the end of track runs

If there are no end wall mounts in your system, adhere the suspended track bracket to the end of the track. Slide the splice until it is flush against the end of the straight track. Line up the last hole in the splice with the hole in the track and insert the inset screw. Then put the end stop in place.

For suspended mounts - in the middle of track runs

Insert the first piece of track into the wall end mount. (Be sure to account for 3".) Slide a track splice connector over the opposite end of the track length, lining up the hole on the top of the track with the first hole on the front of the track splice. Next, insert and tighten the inset screw. For beam to chain mount, or threaded rod mount, attach the track splice to the threaded rod, chain or cable that you have hung from your overhead support. Insert the next track section and repeat steps, making sure to level tracks as you go.

Connecting the last track splice or connector

Before attaching the last wall end mount or end stop, slip the 2-wheel roller hooks (Trolley's) into the track, making sure that the hooks are hanging out through the bottom of track.



Ceiling Direct	Ceiling Suspended - Chain	Ceiling Suspended - Rod
Track Splice Ceiling Part # 9402	Track Splice Vertical Part # 9302	Track Splice Threading Rod Part # 9601
Track Bracket Ceiling 1 Way Part # 9403	Track Bracket Vertical 1 Way Part # 9303	Track Bracket Threading Rod 1 Way - Part # 9602
Track Bracket Ceiling 2 Way Part # 9404	Track Bracket Vertical 2 Way Part # 9304	Track Bracket Threading Rod 2 Way - Part # 9603
Track Bracket Ceiling 3 Way Part # 9405	Track Bracket Vertical 3 Way Part # 9305	Track Bracket Threading Rod 3 Way - Part # 9604
<p>Threaded Rod 3/8 x 16 that comes 10 feet in length by default but can be cut to any size</p>		
Chain / S-Hook Part # 9306 / 9307		Threaded Rod / Coupling Nut Part # 9605 / 9607
Curved Track - Part # 9104		

Wall	
Track Splice Wall Mount Down Part # 9201	Track Bracket Mount Down Part # 9203

Floor Mounts

Connect straight track, splices and curved splices

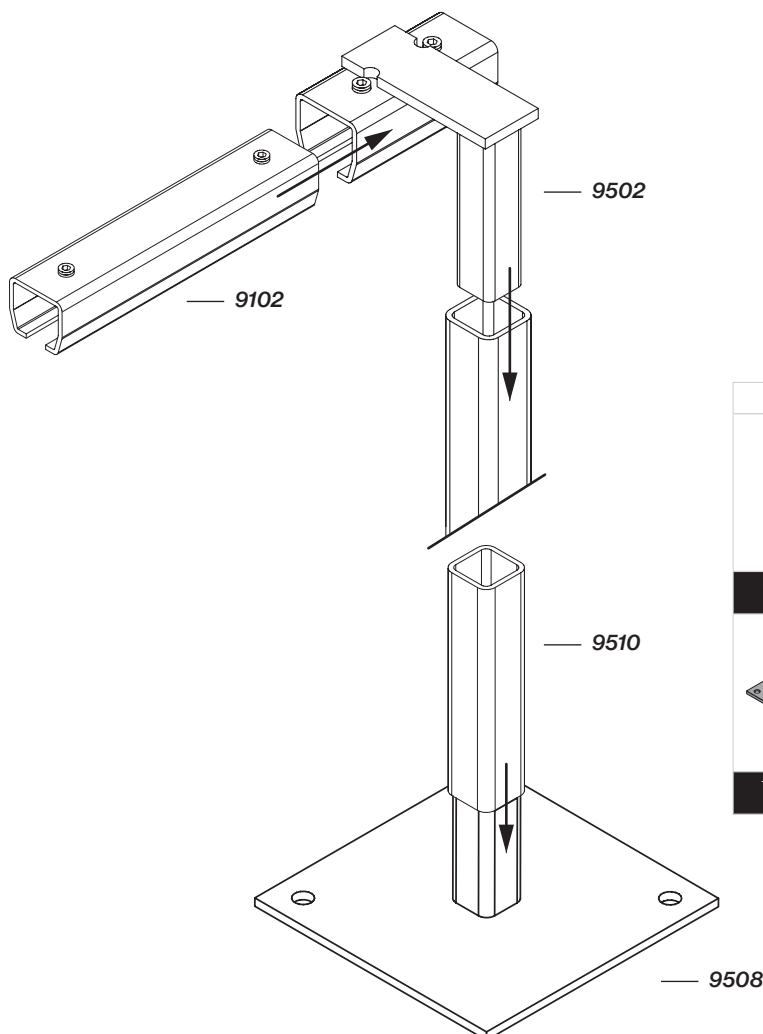
From one end start by connecting splice sections for the end, the middle, and then the curved track sections, if applicable.

Layout the base plates and insert the legs

Lay a base plate in front of each corresponding splice laid out on the floor. Insert each column into the base plates, enough to slide a base into place under the coulumn. The column will then slide onto the peg of the base plate.

Raise the track sections

Make sure you have at least two or more people. Begin raising the connected track by inserting the connected track sections "peg" into the top of the standing column.



Floor		
6" Base Plate 6"x6"x3/16" Part # 9509	Column Sizes: 6' / 7' / 8' / 9' / 10' Part #: 9510 / 9513 / 9511 / 9514 / 9512	Track Bracket Floor 1 Way Part # 9503
12" Base Plate 12"x12"x1/4" Part # 9508	Track Splice Floor Part # 9502	Track Bracket Floor 2 Way Part # 9504
		Track Bracket Floor 3 Way Part # 9505