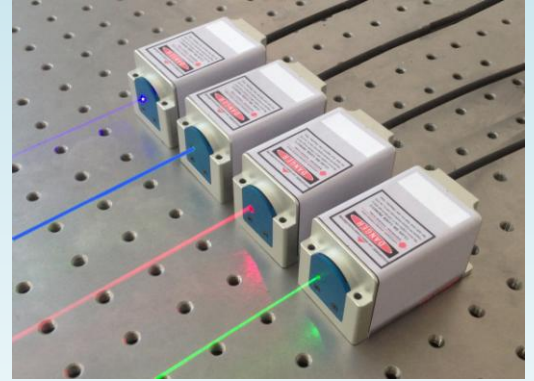


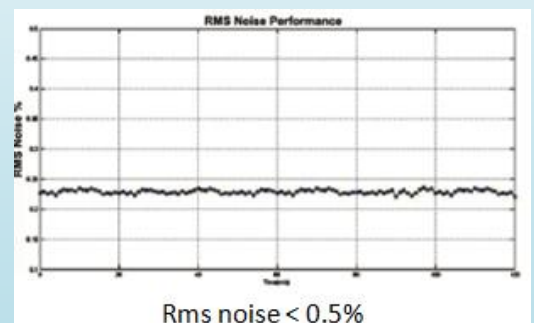
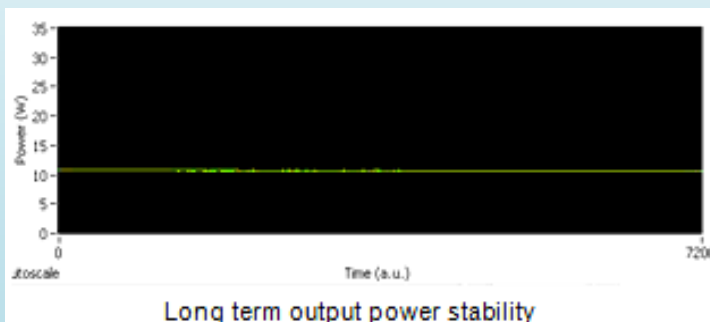
Diode MDL-XS series laser

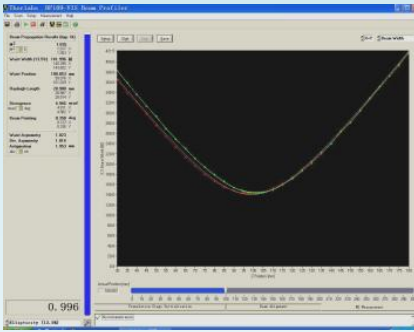
MDL-S laser, features with integrated electronics, miniaturization, plug and play, standardization of interface advantages of continuous solid-state lasers. It is the ideal solution for a wide range of applications including life sciences, environmental monitoring, inspection and machine vision. Housed in compact packages, are the perfect choice for design in and integration into OEM instrumentation and systems and also for end user applications in research and development.



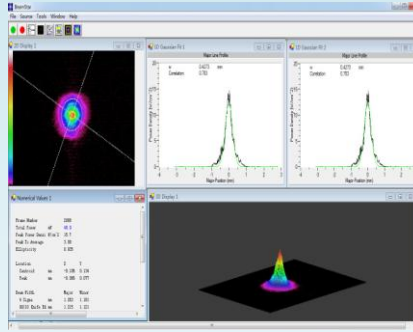
Wavelength (nm)	Output power (mW)	Power stability	Polarization ratio	Beam quality	RMS noise
375	1-50	1%,3%	>100:1	$M^2 < 1.5$	<0.5%, <1%
405	1-200	1%,3%	>100:1	$M^2 < 1.2$	<0.5%, <1%
450	1-30	1%,3%	>100:1	$M^2 < 1.2$	<0.5%, <1%
520	1-50	1%,3%	>100:1	$M^2 < 1.2$	<0.5%, <1%
637	1-100	1%,3%	>100:1	$M^2 < 1.2$	<0.5%, <1%
642	1-100	1%,3%	>100:1	$M^2 < 1.2$	<0.5%, <1%
650	1-80	1%,3%	>100:1	$M^2 < 1.2$	<0.5%, <1%
655	1-80	1%,3%	>100:1	$M^2 < 1.2$	<0.5%, <1%
660	1-80	1%,3%	>100:1	$M^2 < 1.2$	<0.5%, <1%
785	1-80	1%,3%	>100:1	$M^2 < 1.5$	<0.5%, <1%
808	1-80	1%,3%	>100:1	$M^2 < 1.5$	<0.5%, <1%
915	1-100	1%,3%	>100:1	$M^2 < 1.5$	<0.5%, <1%
940	1-100	1%,3%	>100:1	$M^2 < 1.5$	<0.5%, <1%

Features of MDL-S series lasers:

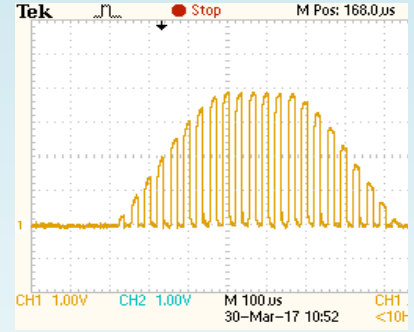




M² measurement <1.2

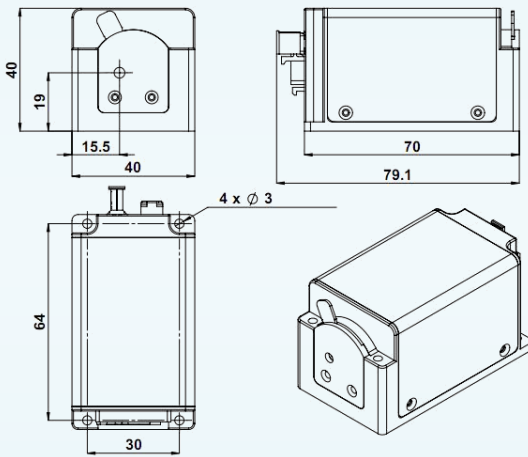


Beam profile testing



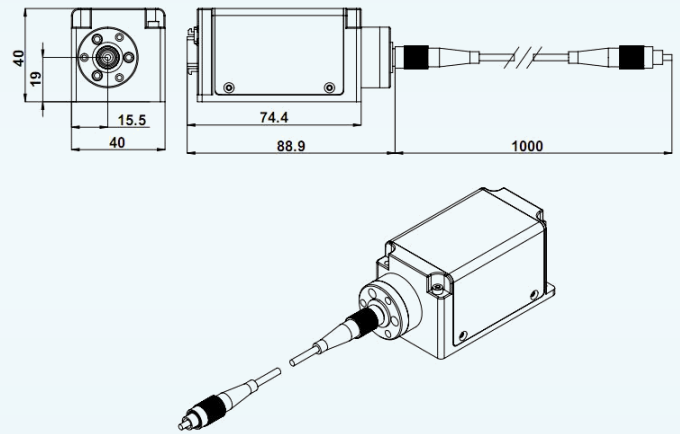
Modulation waveform

● **Dimensions of Laser (mm):**



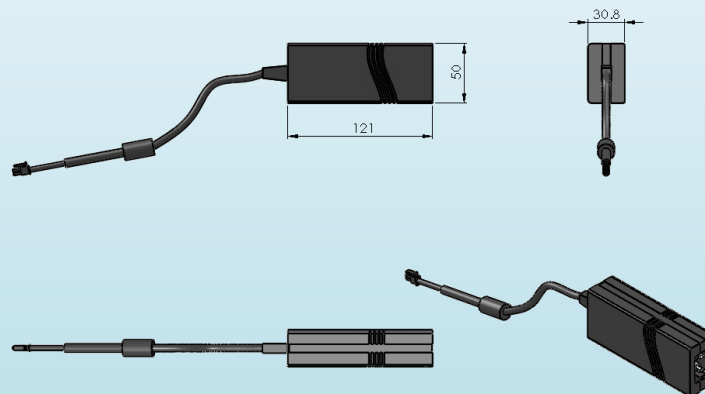
79.1 (L) x 40 (W) x40 (H) mm3, 0.2 kg

● **Dimensions of Laser head Fiber Coupled(mm):**



1088.9 (L) x 40 (W) x40 (H) mm3

● **Dimensions of Power supply(mm):**



121(L) x50(W) x30.8 (H) mm3, 0.3kg