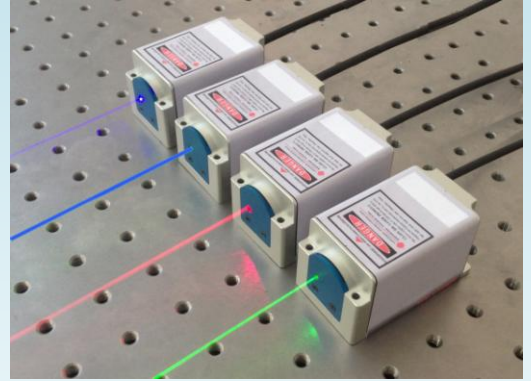


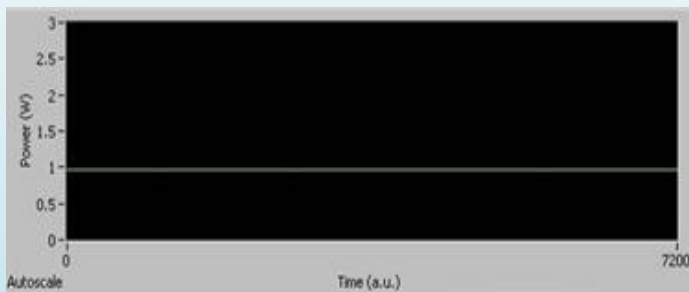
## MXL-S series DPSS lasers

MxL-S series DPSS lasers with features of good sealing, high output power stability, good beam profile, ultra compact, wide operating temperature, long lifetime, easy operating, working under the pressure of 0.02 kPa, which are widely used in DNA sequencing, flow cytometry, cell sorting, optical instrument, spectrum analysis, interference, measurement, holography, laser printing, chip inspection, collimation, laser medical treatment, scientific experiment and other applications.

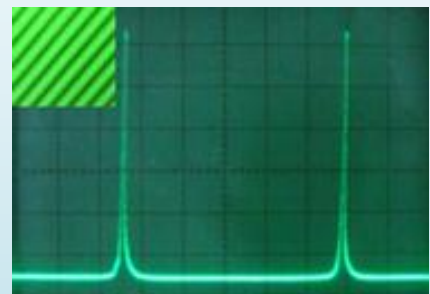


Wavelength	Output power	Transverse mode	Power stability	Beam quality	Polarization ratio	Operating temperature	
						Normal	Harsh
473nm	1-100mW	TEM00	<3%,5%	$M^2 < 1.2$	>100:1	10-35	0-60°C
532 nm	1-300mW	TEM <sub>00</sub>	<1%,<3%,5%	$M^2 < 1.2$	>100:1	10-35	0-60°C
543 nm	1-100mW	TEM <sub>00</sub>	<1%,<3%,5%	$M^2 < 1.2$	>100:1	10-35	0-60°C
588 nm	1-50mW	TEM <sub>00</sub>	<1%,<3%,5%	$M^2 < 1.2$	>100:1	10-35	0-60°C
589 nm	1-50mW	TEM <sub>00</sub>	<1%,<3%,5%	$M^2 < 1.2$	>100:1	10-35	0-60°C
671nm	1-200mW	TEM <sub>00</sub>	<3%,5%	$M^2 < 1.2$	>100:1	10-35	0-60°C
1064nm	1-400mW	TEM <sub>00</sub>	<1%,<3%,5%	$M^2 < 1.2$	>100:1	10-35	0-60°C
	400-1500mW	TEM <sub>00</sub>	<1%,<3%,5%	$M^2 < 1.5$	>100:1	10-35	0-60°C

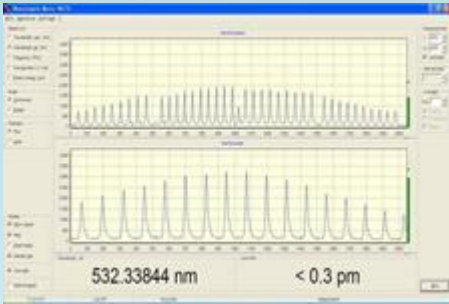
### ➤ Features of *MxL-S series* lasers:



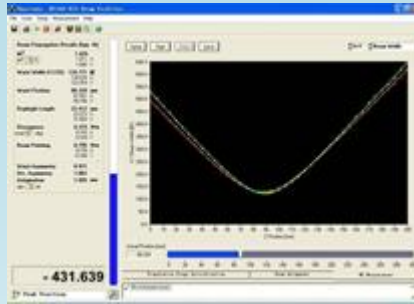
Long term output power stability



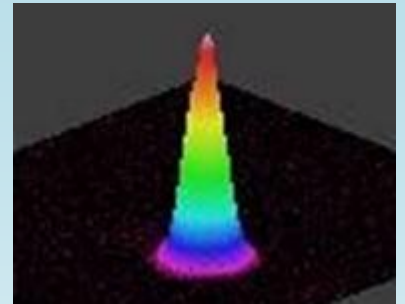
Single frequency laser



Linewidth measurement

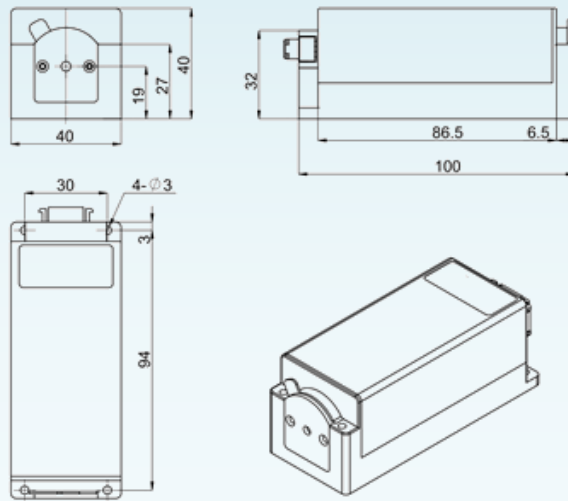


M<sup>2</sup> measurement < 1.2



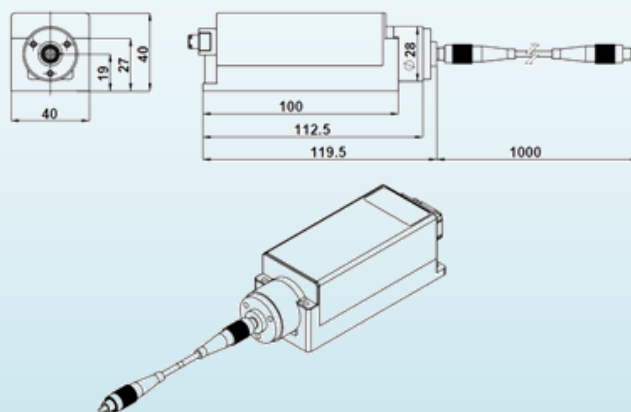
Beam profile(TEM00)

➤ **Dimensions of Laser head:**



100 (L) × 40 (W) × 40 (H) mm<sup>3</sup>, 0.36 kg

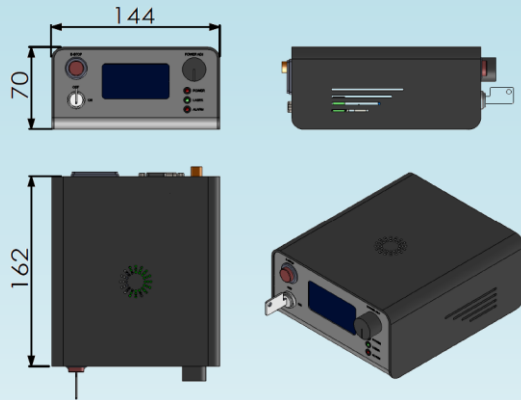
➤ **Dimensions of fiber coupled laser head:**



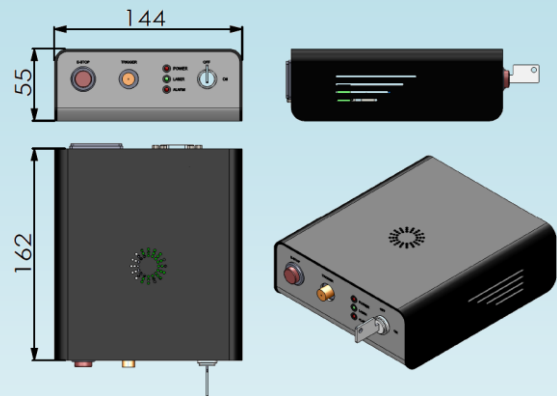
1119.5 (L) × 40 (W) × 40 (H) mm<sup>3</sup>

➤ **Dimensions of power supply:**

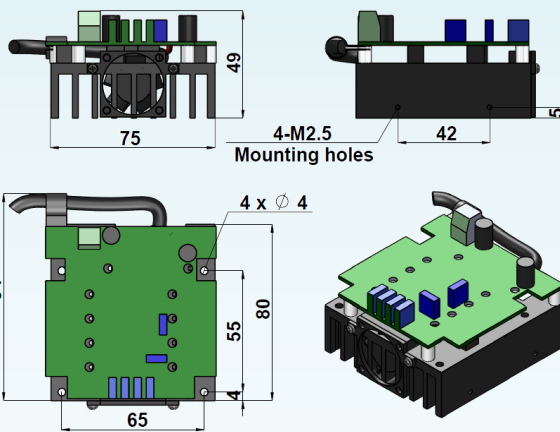
● **Normal Condition**



162 (L) × 144(W) × 70(H) mm<sup>3</sup> , 0.6kg  
PSU-A-D

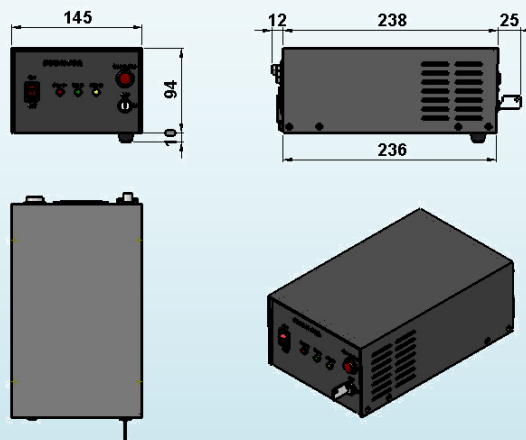


162(L) × 144(W) × 55(H) mm<sup>3</sup> , 0.5kg  
PSU-A-F



94(L) × 75(W) × 49(H) mm<sup>3</sup> , 0.23kg  
PSU-III-OEM-97

● **Harsh Condition**



236(L) × 145(W) × 104(H) mm<sup>3</sup> , 2.3 kg

PSU-H-FDA