

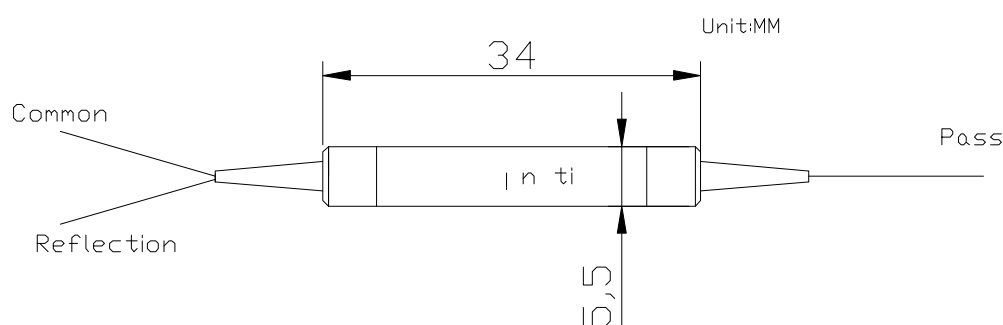
Filter Multi-Mode Splitter (FMMS)

Features	
Low Insertion Loss	
Difference Coupling Ratio	
High Stability and reliability	
Application	
Multi-mode fiber communication systems	
LAN	

Specifications

Type		850/1310
Parameter		850/1310
Operating wavelength (nm)		850 or 1310
Operating bandwidth (nm)		±50
Insertion Loss(dB)	50/50%	≤3.9/3.9
	10/90%	≤11.3/1.1
	5/95%	≤14.5/0.9
Directivity (dB)		≥38
PDL (dB)		≤0.1
Wavelength thermal stability (nm/°C)		≤0.003
Insertion loss thermal stability(dB/°C)		≤0.005
Power handling (mW)		≤500
Operating temperature (°C)		0 ~ +70
Storage temperature (°C)		-40 ~ +85
Dimensions (mm)		φ5.5×L34
Fiber type		50/125 or 62.5/125um

Package Dimensions



Ordering Information

FMMS	Port Type	Wavelength	Coupling Ratio	Pigtail Type	Fiber Type	Length	Connector
	1x2	850 1310 850/1310	50/50% 10/90% 5/95% 1/99%	250=250um bare fiber 900=900um loose tube 3000=3mm loose tube	2=50/125 3=63.5/125	1= 1m	NE=None FA=FC/APC FC=FC/UPC SA=SC/APC SC=SC/UPC LC=LC/UPC LA=LC/APC MU=MU/UPC