

Multimode Fiber Optical Switch (1x2)

Features	
Low Insertion Loss High crosstalk Compact package	
Application	
OXC, OLP, ROADM Wavelength switch of testing system Channel switch of optic sensor system	

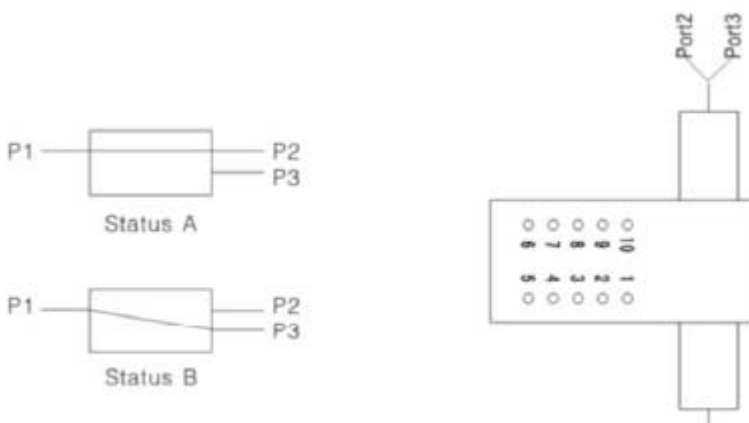
Specifications

Parameters	1×2
Wavelength (nm)	850,1310
Insertion Loss (dB)	≤0.8
Return Loss (dB)	≥30
Crosstalk (dB)	≥45
PDL (dB)	≤0.05
WDL (dB)	≤0.25
TDL (dB)	≤0.25
Repeatability (dB)	≤±0.02
Power Supply (V)	5±0.5
Lifetime (times)	≥10 ⁷
Switch Time (ms)	≤5
Transmission (Mw)	≤500
Operating Operature (°C)	-5~+70
Storage Temperature (°C)	-40~+85
Dimension (mm)	27x12.6x8.0

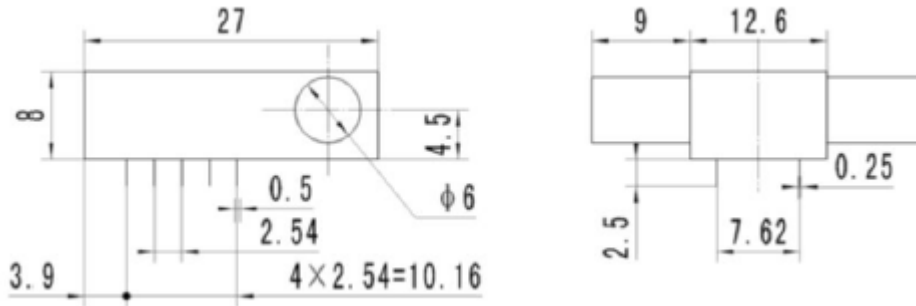
PINS

Type	Pin	Electric Drive				Status Sensor	
1×2	Channel	1	5	6	N/A	3-4 7-8	2-3 8-9
Latching	P1-P2	+5V	GND	N/A	V+	CLOSE	OPEN
	P1-P3	N/A	N/A	+5V	--	OPEN	CLOSE
Non-latching	P1-P2	+5V	N/A	GND	--	CLOSE	OPEN
	P1-P3	N/A	--	N/A	GND	OPEN	CLOSE

Optical Route/Bottom View



Dimensions



Ordering Information

OSW	Type	Wavelength	Mode	Pigtail Type	Fiber Type	Length	Connector
	1x2	850=850 1310=1310	L=Latching N=Non-Latching	250=250um bare fiber 900=900um loose tube	2=50/125 3=62.5/125	1= 1m	NE=None FA=FC/APC FC=FC/UPC SA=SC/APC SC=SC/UPC LC=LC/UPC XX=Other