

PM Fiber Variable Optical Attenuator (PMVOA)

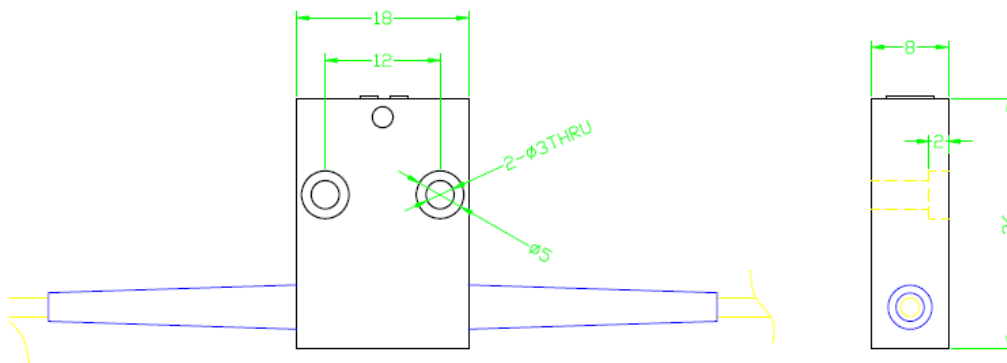
Features	
High precision & Wide attenuation range Low Insertion Loss & High PER High stability and reliability	
Application	
Optical communication systems test Fiber component test Fiber Sensor	

Specifications

Parameter	Value			
Wavelength (nm)	1310, 1550,1310/1550	1064	980	850
Bandwidth (nm)	±40	±20	±10	±10
Attenuation Range (dB)	0.6~40	0.8~40	0.8~40	1.0~40
Original Loss	≤0.6	≤0.8	≤0.8	≤1.0
Extinction ratio (dB)	≥20			
Return Loss (dB)	≥50			
Fiber Type	Panda Fiber			
Adjustment Precision (dB)	0.02			
Operating Temperature	-5~ +70			
Storage Temperature	-40 ~ + 85			
Dimension (LxMxH) (mm)	26x18X8			

For device with connector, IL is 0.3dB higher, RL is 5dB lower, ER is 2dB lower

Package Dimensions



Ordering Information

PMVOA	Wavelength	Adjustment Type	Pigtail Type	Fiber Type	Length	Connector
	13=1310 15=1550 1315=1310/1550	1= Hand adjustment	900=900um loose tube 2000=2mm loose tube 3000=3mm loose tube	5=Panda fiber	0.8= 0.8m	NE=None FA=FC/APC FC=FC/UPC SA=SC/APC SC=SC/UPC XX=Other