

MDL-C-445/1~30mW



**LONG COHERENT LENGTH  
DIODE LASER AT 445nm**

Long coherent length diode laser module at 445nm is made features of long coherent length, stable wavelength, long lifetime and easy operating, which is widely used in holography, interference, fluorescence, photoetching, flow cytometry, DNA sequencing, Raman spectroscopy, Laser radar, precision measurement, etc.

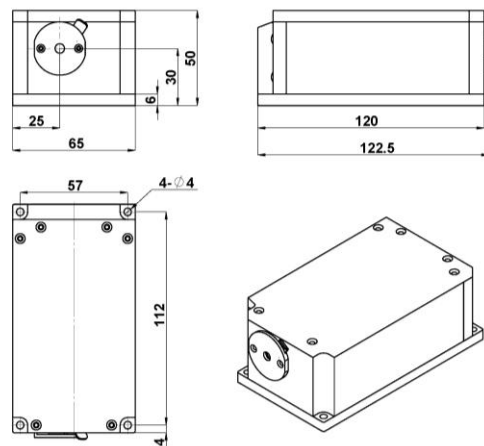


SPECIFICATIONS

Wavelength (nm)	445±5
Operating mode	CW
Output power (mW)	>1, 2, 3, ...,30
Power stability (rms, over 4 hours)	<1%, <3%, <5%
Transverse mode	Near TEM <sub>00</sub>
Coherent length (m)	>1
M <sup>2</sup> factor	<1.5
Beam diameter at the aperture (1/e <sup>2</sup> ,mm)	~2.5
Beam divergence, full angle (mrad)	<1.0
Polarization ratio	>50:1 (>100:1, optional) Horizontal±5 degree (Vertical Optional)
Warm-up time (minutes)	<15
Beam height from base plate (mm)	30
Operating temperature (°C)	20~30
Power supply (85-264VAC)	PSU-III-FDA
Expected lifetime (hours)	10000
Warranty	1 year

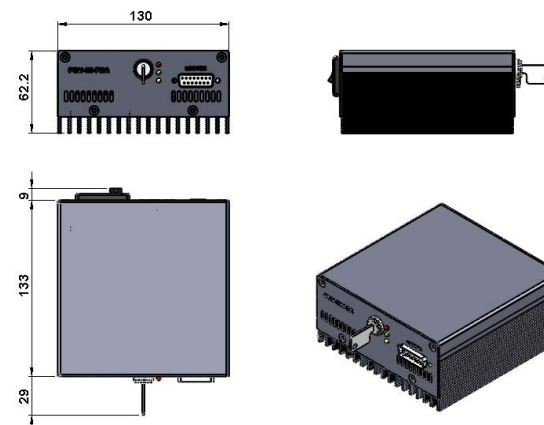


MDL-C-445



122.5(L) ×65(W) ×50 (H) mm<sup>3</sup>, 1.0kg

PSU-III-FDA



171(L) ×130(W) ×62.2 (H) mm<sup>3</sup>, 1.2kg