

MDL-SD-470/2500-4000mW



**BLUE DIODE LASER
AT 470nm**

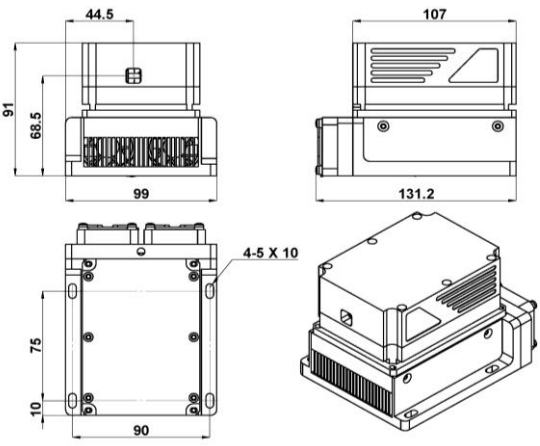
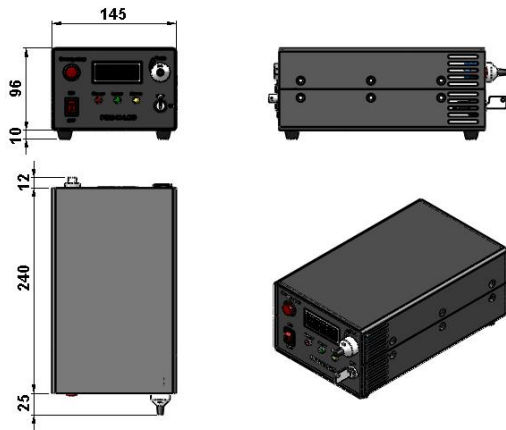
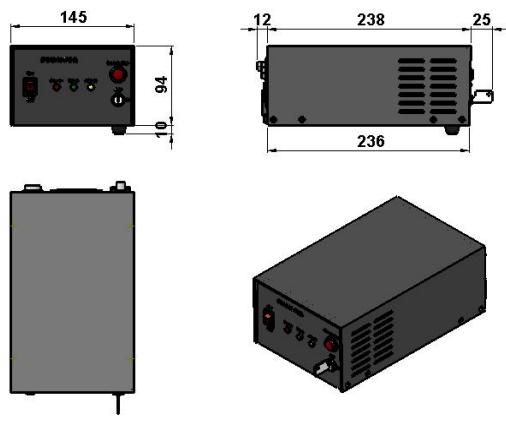
Blue diode laser at 470nm is made features of ultra compact, long lifetime, cost-effectiveness and easy operating. It's easy to be installed in customer's equipment.



SPECIFICATIONS

Wavelength (nm)	470±5	
Operating mode	CW	
Output power (mW)	>2500, >2600, ..., 4000	
Power stability (rms, over 4 hours)	<1%, <3%, <5%	
Polarization direction	Horizontal/ Vertical	Horizontal+ Vertical
Beam diameter at the aperture (1/e ² ,mm)	~4.7×2.7	~2.7×2.7
Beam divergence, full angle (mrad)	~1.4×0.2	
Warm-up time (minutes)	<5	
Beam height from base plate (mm)	68.5	
Operating temperature (°C)	10-35	
Power supply (100-240VAC)	PSU-H-LED/ PSU-H-FDA	
TTL / Analog modulation	TTL or Analog with 1Hz-1KHz 1KHz-10KHz, 10KHz-30KHz optional	
Expected lifetime (hours)	10000	
Warranty	1 year	



MDL-SD-470	PSU-H-LED	PSU-H-FDA
 <p>131.2(L)×99(W)×91(H) mm³, 1.6kg</p>	 <p>277 (L) ×145(W) ×106(H) mm³, 2.3kg</p>	 <p>275 (L) ×145(W) ×104(H) mm³, 2.1kg</p>