

PGL-D12-450/1~30mW

BLUE LASER MODULE AT 450 nm

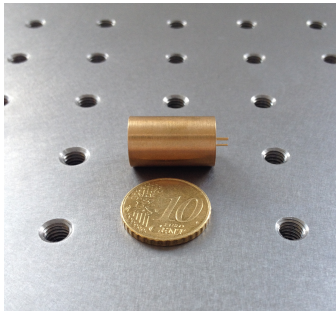
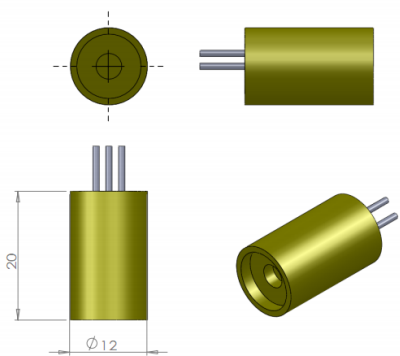

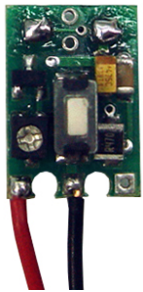
PGL-D12-450 is made features of wide temperature operating (no TEC), high reliability, and low cost, which is widely used in orientation, alignment and measurement, etc.



SPECIFICATIONS

Wavelength (nm)	450±5
Operating mode	CW
Output power (mW)	>1, 10, 15, ..., 30
Power stability (rms)	<5% , over 4 hours at constant temperature after warm up
	<10%, over operating temperature range
Transverse mode	TEM ₀₀
Beam diameter at the aperture (1/e ² , mm)	~3. 5
Beam divergence, full angle (mrad)	<1.0
Operating temperature (°C)	15~30
Power supply	DC 6V PCB
Expected lifetime (hours)	10000
Warranty period	6 months



PGL-D12-450	Dimensions	6VPCB	
 <p>Φ12×20(L) mm², 0.013 kg</p>		 <p>17(L) × 11(W) mm²</p>	 <p>17(L) × 11(W) mm²</p>