



PGL-H-405/1~300mW

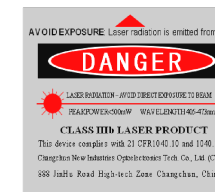
HIGH POWER VIOLET LASER MODULE AT 405 nm

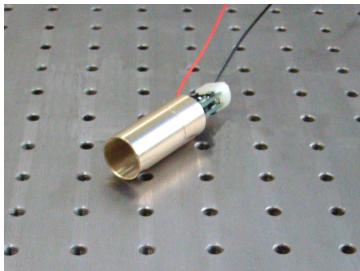
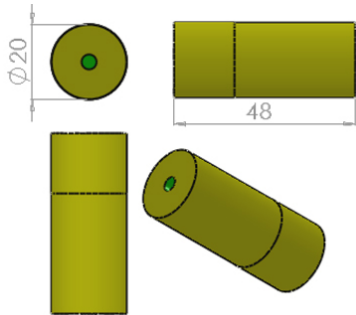

PGL-H high power blue laser module at 405nm is made features of small size, high output power, long lifetime, which made it widely used in collimation, laser medical treatment, scientific experiment, optical instrument and so on



SPECIFICATIONS

Wavelength (nm)	405 ±5
Operating mode	CW
Output power (mW)	>1,5, 10, ..., 300
Power stability (rms)	<10% , over 4 hours at constant temperature after warm up
	<20%, over operating temperature range
Transverse mode	Near TEM ₀₀
Beam diameter at the aperture (1/e ² , mm)	~3.5
Beam divergence, full angle (mrad)	<0.5
Operating temperature (°C)	15~30
Power supply	DC 6V PCB
Expected lifetime (hours)	10000
Warranty	6 months



PGL-H-405	Dimensions	PC Board
 <p>Φ20×48(L) mm², 0.075 kg</p>		 <p>14×18×8(H) mm³</p>