

PGL-H-447/1~1000mW

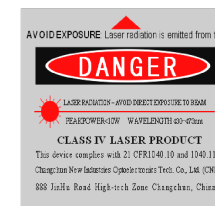
**BLUE LASER MODULE
AT 447 nm**

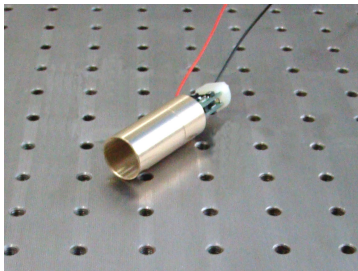
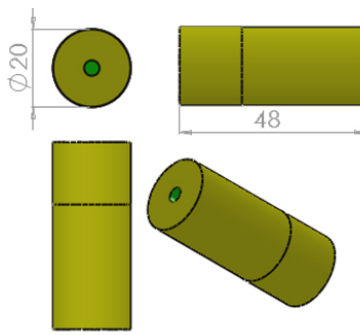

PGL-H-447 is made features of wide temperature operating (no TEC), high reliability, and low cost, which is widely used in orientation, alignment and measurement, etc.



SPECIFICATIONS

Wavelength (nm)	447±10
Operating mode	CW
Output power (mW)	>1, 50, 100, ... ,1000
Power stability (rms)	<5% , over 4 hours at constant temperature after warm up
	<10%, over operating temperature range
Transverse mode	TEM ₀₀
Beam diameter at the aperture (1/e ² , mm)	~ 5.0
Beam divergence, full angle (mrad)	<1.5
Operating temperature (°C)	15~30
Power supply	DC 6V PCB
Expected lifetime (hours)	10000
Warranty period	6 months



PGL-H-447	Dimensions	PC Board
 <p>Φ20×48(L) mm², 0.075 kg</p>		 <p>DC 6VPCB</p> <p>14×18×8(H) mm³</p>