

PGL-H-473/1~50mW

## HIGH POWER BLUE LASER MODULE AT 473nm

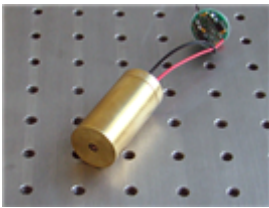
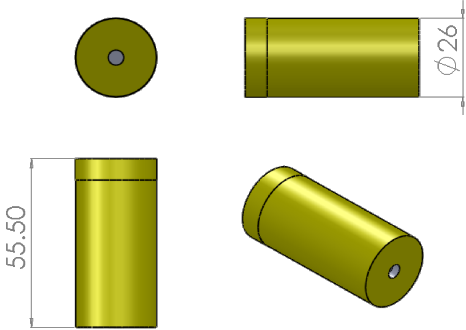
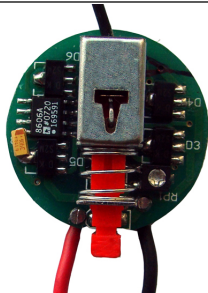
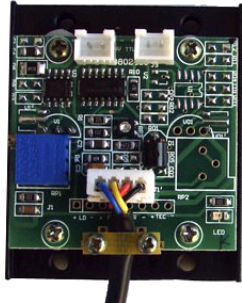
PGL-H high power blue laser module at 473nm is made features of small size, high output power, long lifetime, which made it widely used in collimation, laser medical treatment, scientific experiment, optical instrument and so on.



### SPECIFICATIONS

Wavelength (nm)	473±1	
Operating mode	CW	
Output power (mW)	>1, 10, 15, ..., 50	
Power stability (rms)	<10% , over 4 hours at constant temperature after warm up	
	<20%, over operating temperature range	
Transverse mode	TEM <sub>00</sub>	
Beam diameter at the aperture (1/e <sup>2</sup> , mm)	~0.1	
Beam divergence, full angle (mrad)	<15	
Operating temperature (°C)	15~30	
Power supply	DC 3V PCB	DC 5V PCB
TTL modulation	Optional, 1Hz-1KHz, 1KHz-10KHz, or higher on request	
Expected lifetime (hours)	10000	
Warranty	6 months	



PGL-H-473	Dimensions	3VPCB	5VPCB
 <p>Φ26×55.5(L) mm<sup>3</sup>, 0.3 kg</p>		 <p>Φ26×15(H) mm<sup>3</sup></p>	 <p>56×47×30(H) mm<sup>3</sup></p>

Kokyo

株式会社光響

<http://www.symphotony.com/> メール : [info@symphotony.com](mailto:info@symphotony.com)