

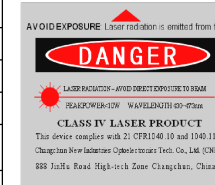
PGL-V-H-445/1~1000mW

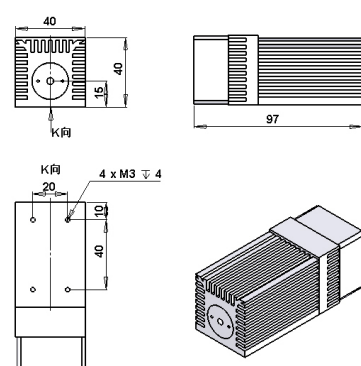
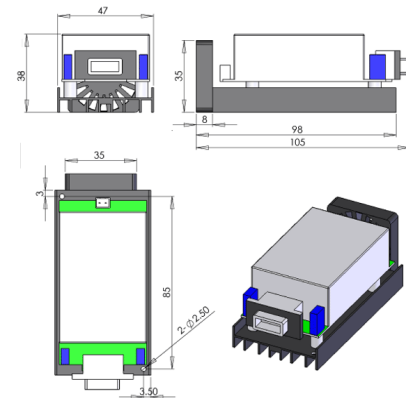
BLUE DIODE LASER MODULE AT 445 nm

Diode laser module at 445 nm is made features of ultra compact, long lifetime, low cost and easy operating, which is widely used in laser pointing, show and light applications. Very good beam properties make it useful in RGB mixed laser systems.

SPECIFICATIONS

Wavelength (nm)	445±10	445±5
Operating mode	CW	
Output power (mW)	>1, 10, 20, ...,500	>500, 600, ...,1000
Power stability (rms, over 4 hours)	<1%, <3%, <5%	
Transverse mode	Near TEM ₀₀	
Beam diameter at the aperture (1/e ² , mm)	~5.0	~2.0×4.0
Beam divergence, full angle (mrad)	<1.5	<3.0×0.5
Warm-up time (minutes)	<10	
Beam height from base plate (mm)	15	
Pointing stability after warm-up (mrad)	<0.05	
Operating temperature (°C)	10~35	
Power supply (90-264VAC)	PSU-I-OEM	
TTL/Analog modulation	TTL on/off, 1Hz-1KHz, 1KHz-10KHz, 10KHz-30KHz; and Analog modulation option	
Expected lifetime (hours)	10000	
Warranty period	1 year	



PGL-V-H-445	PSU-I-OEM
 <p>97 (L) × 40 (W) × 40 (H) mm³, 0.2 kg</p>	 <p>105 (L) × 47 (W) × 38 (H) mm³, 0.2 kg</p>