

PS-R-355/1~150mW

### MODE-LOCKED PICOSECOND PULSED LASER AT 355nm

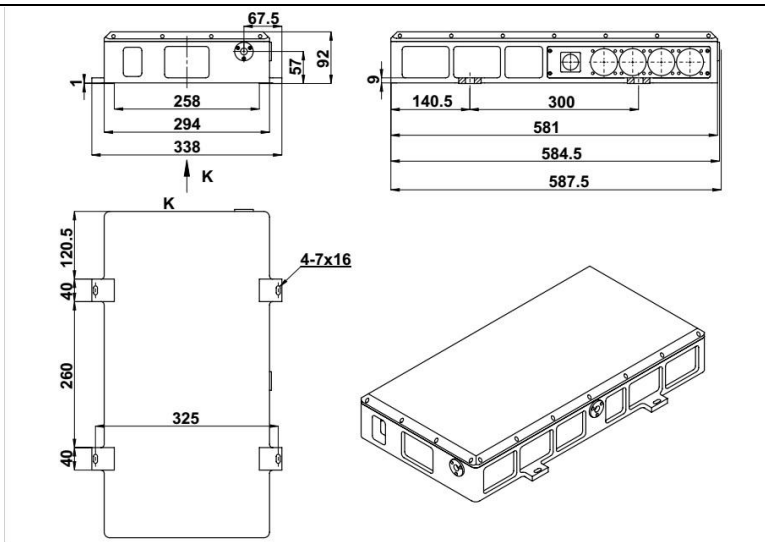
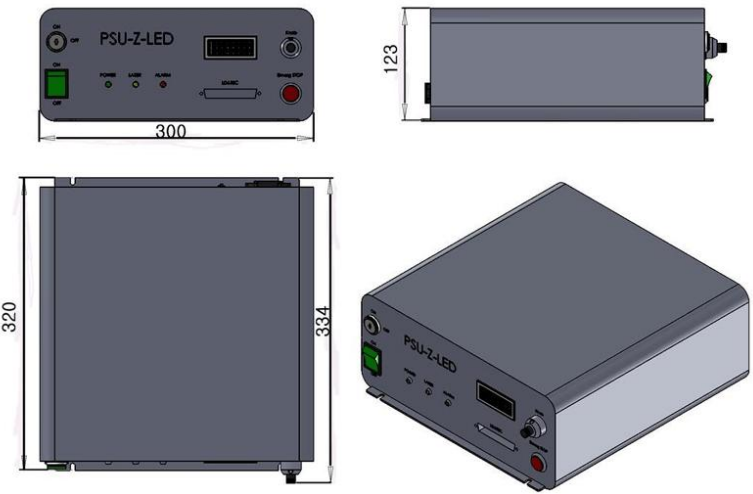
Mode-locked picosecond pulsed laser at 355nm is made features of short pulse duration, high repetition rate and good beam quality, which is used in laser medical treatment ,industrial processing, physics experiment, etc.



#### SPECIFICATIONS

Wavelength (nm)	355±1
Operating mode	Mode-locked
Output power (mW)	@ Mode-locked mode >1, 5, 10, ..., 150
Power stability (rms, over 4 hours)	<3%, <5%
Transverse mode	TEM <sub>00</sub>
Pulse duration(ps)	10~20
Rep.rate(MHz)	~48
Beam divergence, full angle (mrad)	<4
Beam diameter at the aperture (mm)	~3
Beam height from base plate (mm)	57
Warm-up time (minutes)	<10
Operating temperature (°C)	10~30
Power Supply(90-264VAC)	PSU-Z-LED
Expected lifetime (hours)	10000
Warranty period	1 year



PS-R-355	PSU-Z-LED
 <p>581(L)×338(W)×92(H)mm<sup>3</sup>, 19kg</p>	 <p>320(L)×300(W)×123(H)mm<sup>3</sup>, 6.2 kg</p>