

UV-F-349/1~30mW



**LD PUMPED ALL-SOLID-STATE
CW UV LASER**

All solid state 349nm UV laser is made features of ultra compact, long lifetime, cost-effectiveness and easy operating, which is used in DNA sequencing, flow cytometry, cell sorting, optical instrument, spectrum analysis, measurement, physics experiment, laser rapid modeling, etc.

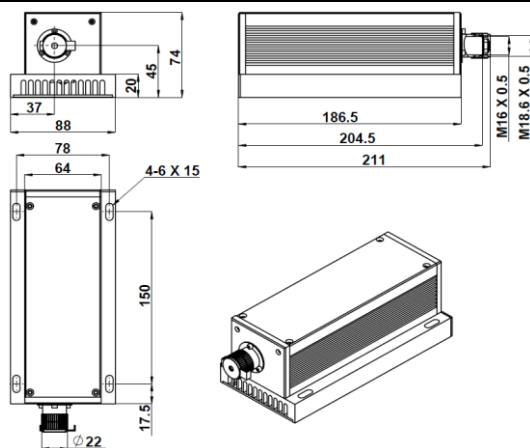


SPECIFICATIONS

Wavelength (nm)	349±1
Operating mode	CW
Output power (mW)	>1, 2, ..., 30
Power stability (rms, over 4 hours)	<10%
Transverse mode	Near TEM ₀₀
M ² factor	<2.0
Beam diameter at the aperture (mm)	~1.5
Beam divergence, full angle (mrad)	<1.0
Polarization ratio	>50:1 Horizontal ±5degree (Vertical Optional)
Warm-up time (minutes)	<10
Beam height from base plate (mm)	45
Operating temperature (°C)	10~35
Spectral purity	>99%
Power supply (90-264VAC)	PSU-H-FDA
Expected lifetime (hours)	5000
Warranty period	1 year

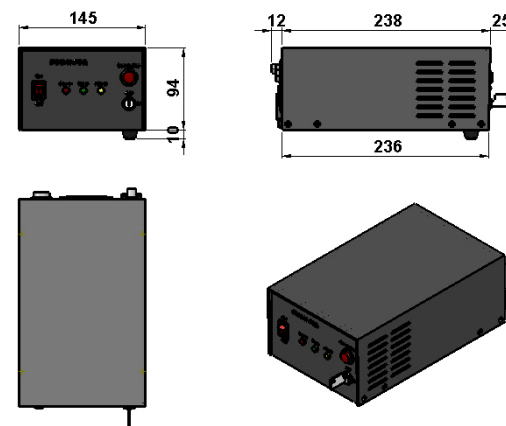


UV-F-349



211 (L) × 88 (W) × 74 (H) mm³, 1.6 kg

PSU-H-FDA



236 (L) × 145 (W) × 104 (H) mm³, 2.3 kg