

LPS-532-A/30~100mJ

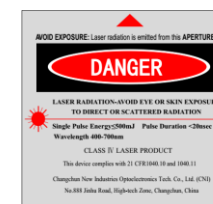
SPECIFICATIONS

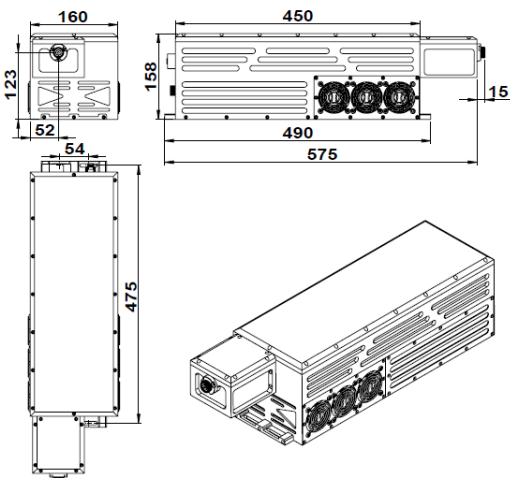
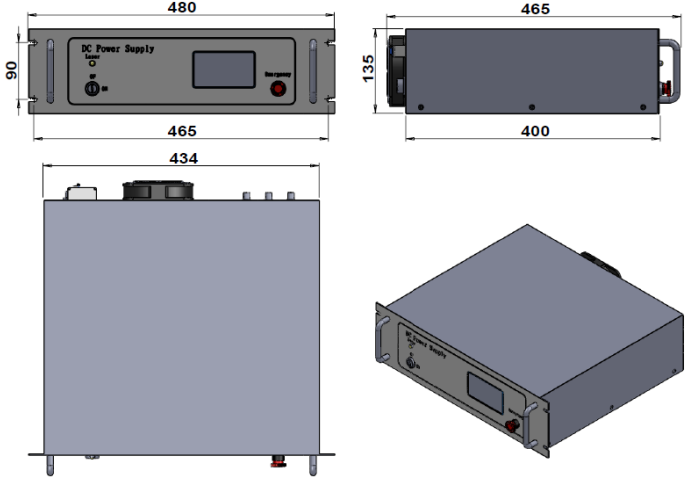
**HIGH ENERGY LAMP
PUMPED SOLID STATE
Q-SWITCHED LASER**

High energy lamp pumped solid state Q-switched laser at 532nm has the features of high single pulse energy, short pulse duration, high peak power, and without water cooling machine, which is widely used in LIF, LIBS, ICP-MS, Raman, scientific research, military, and so on.



Wavelength (nm)	532±1			
Operating mode	Q-switched: EOM (Electro-optic modulation)			
Single pulse energy (mJ)	30	50	80	100
Pulse duration (ns)	<12	<12	<10	<10
Rep. rate (Hz)	1~10 (adjustable)			
Energy stability	<4%			
Beam divergence, full angle (mrad)	~1.5	~1.0	~1.0	~1.0
Beam diameter (mm)	<6	<6	7	7
Warm-up time (minutes)	<15			
Beam height from base plate (mm)	123			
Cooled method	Water to Air Cooled			
Operating temperature (°C)	20~25			
Power supply (220/110VAC)	PSU-LPS-A(3U)			
Expected lifetime of lamp (pulses)	10 ⁷ ~10 ⁸			
Warranty period	1 year			
Available Options	Jitter:~1ns (Sdev) ; Accessories			



<p>LPS-532-A</p>  <p>575 (L) ×160(W) ×160(H) mm³, 15 kg</p>	<p>PSU-LPS-A (3U)</p>  <p>480 (L) ×465(W) ×135(H) mm³, 15 kg Rep. Rate and Voltage can be adjusted by touch screen</p>
--	---

Website: <http://www.cnilaser.com> E-mail: sales@cnilaser.com Tel: +86-431-85603799 Fax: +86-431-87020258