

MPL-III-532/1~5uJ/1-30mW



**LD PUMPED ALL-SOLID-STATE Q-SWITCHED LASER AT 532 nm**

All solid state Q-switched laser at 532 nm has the features of high peak power, high repetition rate, and short pulse duration, which is widely used in industry, marking, research, etc.

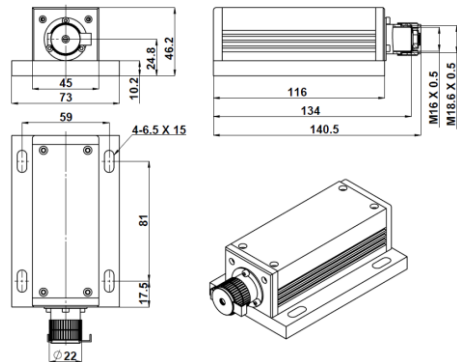


SPECIFICATIONS

Central wavelength (nm)		532±1
Operating mode		Q-switched pulsed laser
Max average power (mW)	~15	~30
Single pulse energy (μJ)	1~3	3~5
Pulse duration (ns)	~10	~1.3
Peak power (W)	100~300	2300~3800
Rep. rate (kHz)	FIXED	Setting up one fixed rep. rate internal between 1k-4kHz with stable pulse energy, pulse duration and pulse period.
	EXT TRIG	1Hz-4kHz by external trigger with stable pulse energy, pulse duration and pulse period.
	QCW	QCW state with one rep. rate between 5k-20kHz.
Average power (mW)		Average power (mW) = Single pulse energy (μJ) * Rep. rate (kHz)
Ave power stability (over 4 hours)		<1%, <3%, <5%
Transverse mode		TEM <sub>00</sub>
Warm-up time (minutes)		<10
M <sup>2</sup> factor		<1.2
Beam divergence, full angle (mrad)		<1.5
Beam diameter at 1/e <sup>2</sup> (mm)		~1.2
Beam height from base plate (mm)		24.8
Operating temperature (°C)		10~35
Power supply (90-264VAC)		PSU-III-FDA
Expected lifetime (hours)		10000
Warranty period		1 year

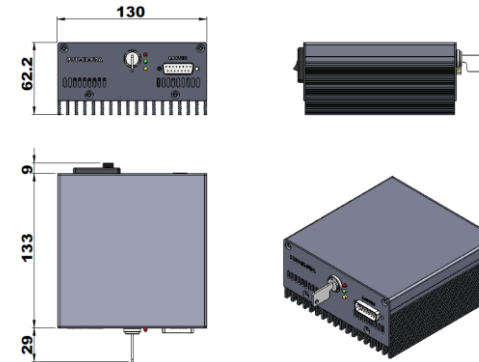


MxL-III-532



140.5 (L) × 73 (W) × 46.2 (H) mm<sup>3</sup>, 0.6kg

PSU-III-FDA



133 (L) × 130 (W) × 62.2 (H) mm<sup>3</sup>, 1.2kg