



OEM-S-532/1~300mW



LD PUMPED ALL-SOLID-STATE GREEN LASER

All solid state 532nm green laser is made features of high output power stability, good beam profile, ultra compact, small size, wide operating temperature, good sealing, long lifetime, low cost and easy operating, working under the pressure of 0.02kPa, which is widely used in collimation, laser medical treatment, scientific experiment, optical instrument, laser display, laser lighting show, etc.

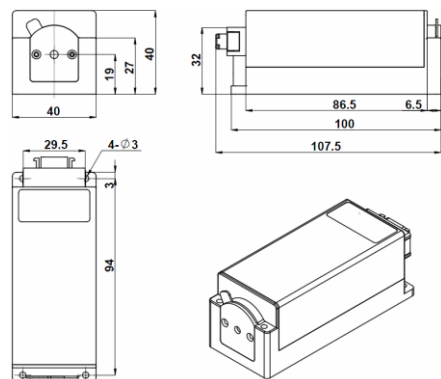


SPECIFICATIONS

Wavelength (nm)	532±1
Operating mode	CW
Output power (mW)	>1,5,10,20,...,300
Power stability (rms, over 4 hours)	<1%, <3%, <5%
Transverse mode	TEM ₀₀
M ² factor	<1.2
Beam diameter at the aperture(1/e ² , mm)	0.7±0.05
Beam divergence, full angle (mrad)	<1.5
Polarization ratio	>100:1 Horizontal±5 degree (Vertical Optional)
Pointing stability after warm-up (mrad)	<0.05
Pointing stability Over Temp. (μrad/°C)	<8
Warm-up time (minutes)	<5
Beam height from base plate (mm)	19
Power Consumption(W)	<30
Shock Tolerance(6ms)	7g laterally, 15g vertically
IP Rating	IP65
Power supply(90-264VAC or 5VDC)	PSU-III-OEM-97
Operating temperature (°C)	10-35
Max. Heat Dissipation of Head(W)	4W@25°C
Modulation	TTL on/off, 1Hz-1KHz, 1KHz-10KHz, 10KHz-30KHz; and Analog modulation option
Expected lifetime (hours)	10000
Warranty	1 year

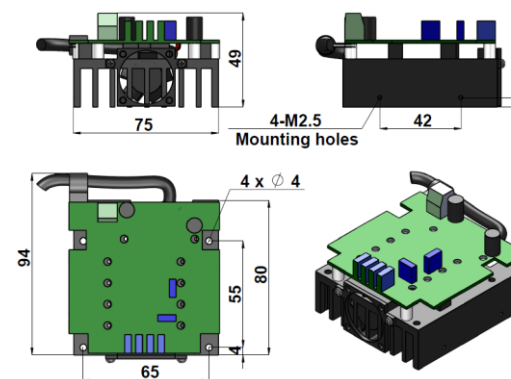


OEM-S-532



100 (L) × 40 (W) × 40 (H) mm³, 0.41kg

PSU-III-OEM-97



94(L) × 75(W) × 49(H) mm³, 0.23kg

Website: <http://www.cnilaser.com> E-mail: sales@cnilaser.com Tel: +86-431-85603799 Fax: +86-431-87020258