



PGL-H-561/1~20mW

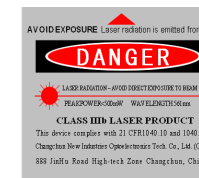
**HIGH POWER GREEN LASER  
MODULE AT 561 nm**

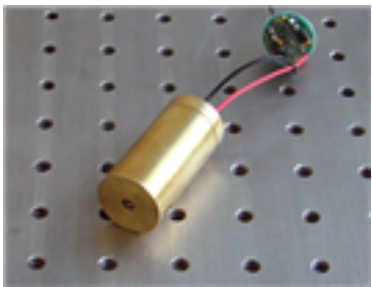
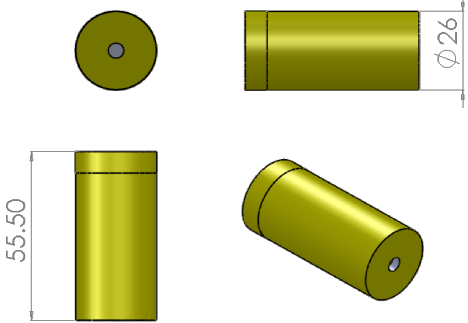
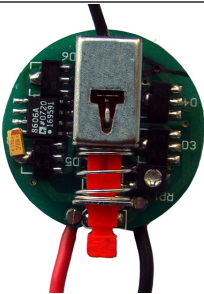
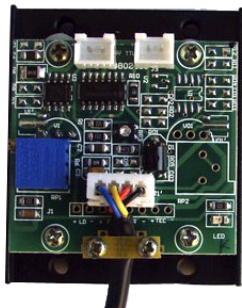
All solid state orange laser at 561nm is made features of ultra compact, long lifetime, low cost and easy operating, which is used in scientific experiment, optical sensor, measurement, instrument, communication, spectrum analysis, etc.



SPECIFICATIONS

Wavelength (nm)	561±1	
Operating mode	CW	
Output power (mW)	>1, 5, 10, ... , 20	
Power stability (rms)	<10% , over 4 hours at constant temperature after warm up	
	<20%, over operating temperature range	
Transverse mode	TEM <sub>00</sub>	
Beam diameter at the aperture (1/e <sup>2</sup> , mm)	~0.1	
Beam divergence, full angle (mrad)	<15	
Operating temperature (°C)	15~30	
Power supply	DC 3V PCB	DC 5V PCB
	TTL modulation	
Expected lifetime (hours)	Optional, 1Hz-1KHz, 1KHz-10KHz, or higher on request	
Warranty	10000	
	6 months	



PGL-H-561	Dimensions	DC 3VPCB	DC 5VPCB
 <p>Φ26×55.5(L) mm<sup>3</sup>, 0.3 kg</p>		 <p>Φ26×15(H) mm<sup>3</sup></p>	 <p>56×47×30(H) mm<sup>3</sup></p>

Website: <http://www.cnilaser.com> E-mail: [sales@cnilaser.com](mailto:sales@cnilaser.com) Tel: +86-431-85603799 Fax: +86-431-87020258