

PGL-H-589/1~80mW

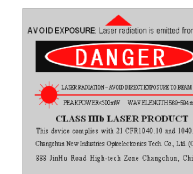
HIGH POWER YELLOW LASER MODULE AT 589nm

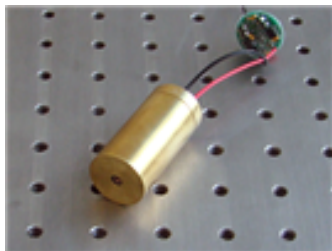
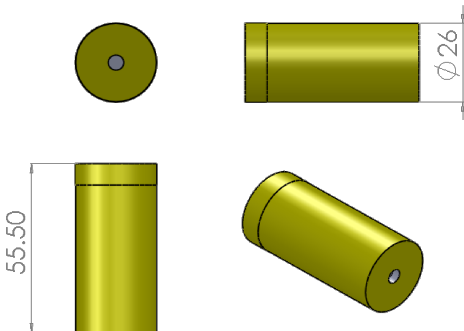
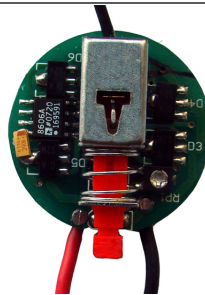
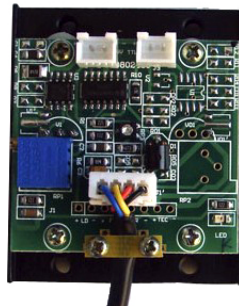
All solid state orange laser at 589nm is made features of ultra compact, long lifetime, low cost and easy operating, which is used in scientific experiment, optical sensor, measurement, instrument, communication, spectrum analysis, etc.



SPECIFICATIONS

Wavelength (nm)	589±2	
Operating mode	CW	
Output power (mW)	>1, 10, 15, ... , 80	
Power stability (rms)	<10% , over 4 hours at constant temperature after warm up	
	<20%, over operating temperature range	
Transverse mode	TEM ₀₀	
Beam diameter at the aperture (1/e ² , mm)	~0.1	
Beam divergence, full angle (mrad)	<15	
Operating temperature (°C)	15~30	
Power supply	DC 3V PCB	DC 5V PCB
TTL modulation	Optional, 1Hz-1KHz, 1KHz-10KHz, or higher on request	
Expected lifetime (hours)	10000	
Warranty	6 months	



PGL-H-589	Dimensions	DC 3VPCB	DC 5VPCB
 <p>Φ26×55.5(L) mm³, 0.3 kg</p>		 <p>Φ26×15(H) mm³</p>	 <p>56×47×30(H) mm³</p>

Website: <http://www.cnilaser.com> E-mail: sales@cnilaser.com Tel: +86-431-85603799 Fax: +86-431-87020258