

PGL-V-H-655/1~1000mW

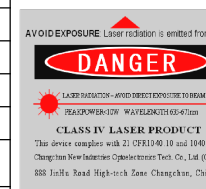
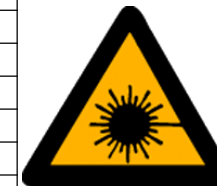
RED DIODE LASER MODULE AT 655 nm

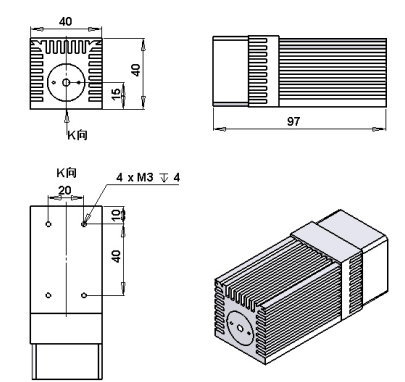
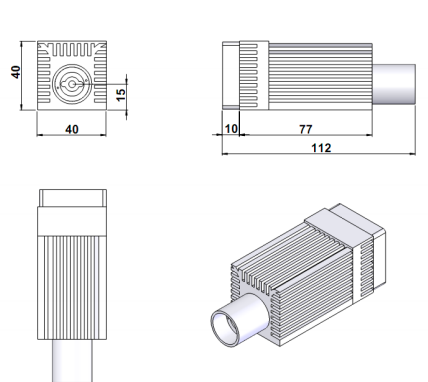
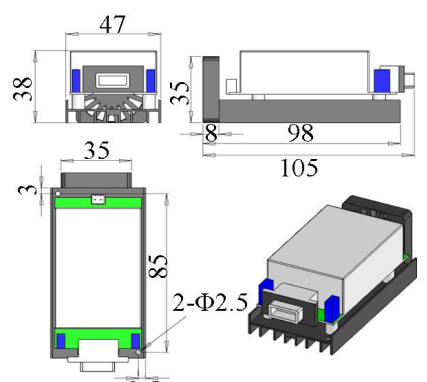
Diode laser module at 655 nm is made features of ultra compact, long lifetime, low cost and easy operating, which is widely used in laser pointing, show and light applications.



SPECIFICATIONS

Wavelength (nm)	655±10	
Operating mode	CW	
Output power (mW)	>1, 100, 200, ..., 1000	
Power stability (rms, over 4 hours)	<1%, <3%, <5%	
Transverse mode	Near TE ₀₀	
Beam diameter at the aperture (1/e ² , mm)	~5.0×8.0	~4.0×6.0
Beam divergence, full angle (mrad)	<2.5	<4.0
Warm-up time (minutes)	<10	
Pointing stability after warm-up (mrad)	<0.05	
Beam height from base plate (mm)	15	
Operating temperature (°C)	10~35	
Power supply (90-264VAC)	PSU-I-OEM	
TTL/Analog modulation	TTL on/off, 1Hz-1KHz, 1KHz-10KHz, 10KHz-30KHz; and Analog modulation option	
Expected lifetime (hours)	10000	
Warranty period	1 year	



PGL-V-H-655		PSU-I-OEM
 <p>97 (L) × 40 (W) × 40 (H) mm³, 0.2 kg</p>	 <p>112 (L) × 40 (W) × 40 (H) mm³, 0.2 kg</p>	 <p>105 (L) × 47 (W) × 38 (H) mm³, 0.2 kg</p>