

PRL-FS-637/1~200mW

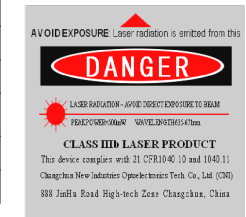
RED DIODE LASER AT 637 nm

Red diode laser at 637 nm is made features of round beam, ultra compact, long lifetime, low cost and easy operating, which is widely used in collimation, laser medical treatment, scientific experiment, optical instrument, laser display, laser lighting show, etc.

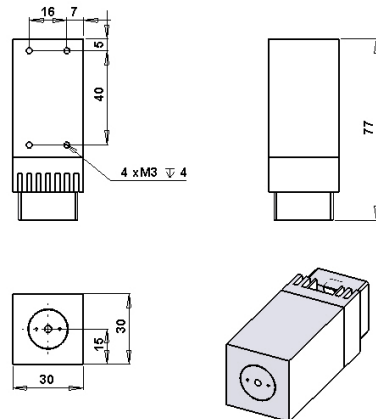


SPECIFICATIONS

Wavelength (nm)	637±5
Operating mode	CW
Output power (mW)	>1, 10, 30, ..., 200
Power stability (rms, over 4 hours)	<1%, <3%, <5%
Transverse mode	Near TEM ₀₀
Beam diameter at the aperture (1/e ² , mm)	~3.5
Beam divergence, full angle (mrad)	<1.0
Warm-up time (minutes)	<10
Beam height from base plate (mm)	15
Operating temperature (°C)	10~35
Power supply (90-264VAC)	PSU-V-OEM
TTL/Analog modulation	TTL on/off, 1Hz-1KHz, 1KHz-10KHz, 10KHz-30KHz; and Analog modulation option
Expected lifetime (hours)	10000
Warranty period	1 year



PRL-FS-637



77 (L) × 30 (W) × 30 (H) mm³, 0.2 kg

Website: <http://www.cnilaser.com>

E-mail: sales@cnilaser.com

Tel: +86-431-85603799

105 (L) × 47 (W) × 38 (H) mm³, 0.2 kg

Fax: +86-431-87020258

PSU-V-OEM

