

PS-R-532/1~1000mW

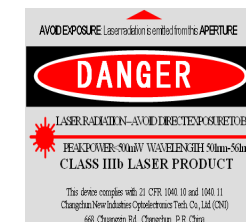
MODE-LOCKED PICOSECOND PULSED LASER AT 532nm

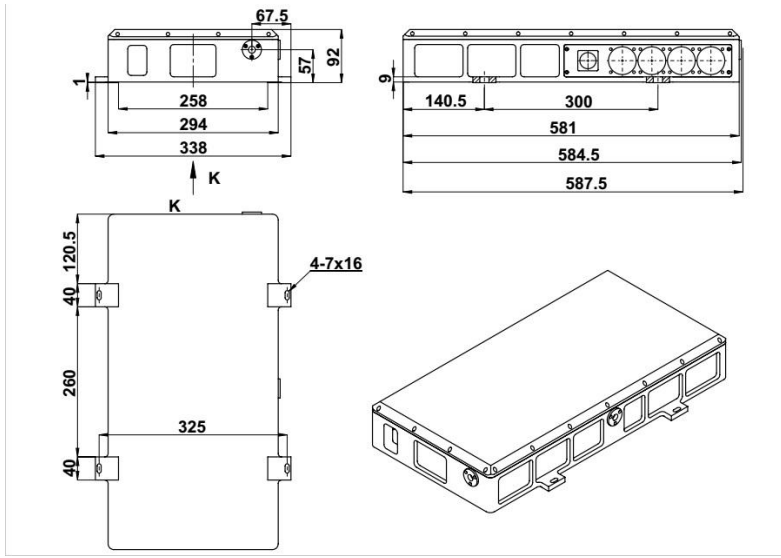
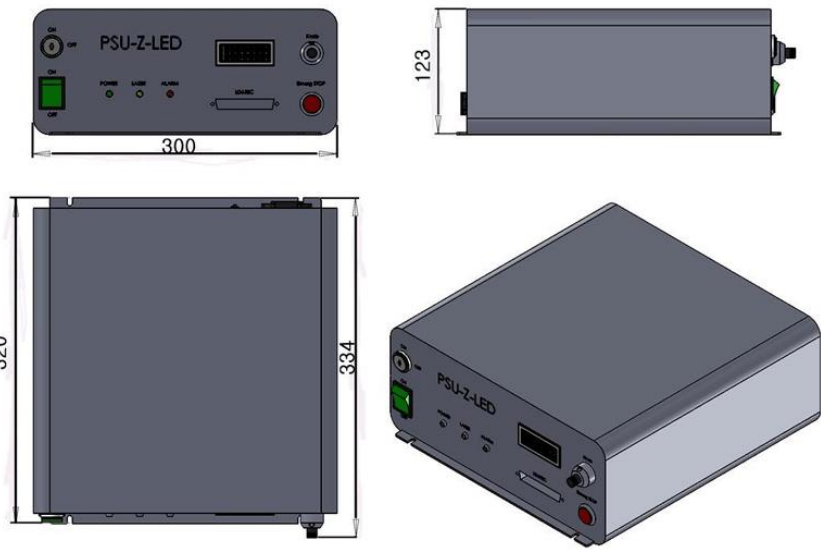
Mode-locked picosecond pulsed laser at 532nm is made features of short pulse duration, high repetition rate and good beam quality, which is used industrial processing, physics experiment, etc.



SPECIFICATIONS

Wavelength (nm)	532±1
Operating mode	Mode-locked
Output power (mW)	@ Mode-locked mode >1, 10, 100, ... , 1000
Power stability (rms, over 4 hours)	<3%, <5%
Transverse mode	TEM ₀₀
Pulse duration(ps)	10~20
Rep.rate(MHz)	~48
Beam divergence, full angle (mrad)	<3
Beam diameter at the aperture (1/e ² ,mm)	~1.5
Beam height from base plate (mm)	57
Warm-up time (minutes)	<10
Operating temperature (°C)	10~30
Power Supply(90-264 VAC)	PSU-Z-LED
Expected lifetime (hours)	10000
Warranty period	1 year



PS-R-532	PSU-Z-LED
 <p>581(L)×338(W)×92(H)mm³, 19kg</p>	 <p>320(L)×300(W)×123(H)mm³, 6.2 kg</p>

Website: <http://www.cnilaser.com> E-mail: sales@cnilaser.com Tel: +86-431-85603799 Fax: +86-431-87020258