

TUN-F-638-644/1~40mW

WAVELENGTH TUNABLE RED DIODE LASER AT 638-644 nm

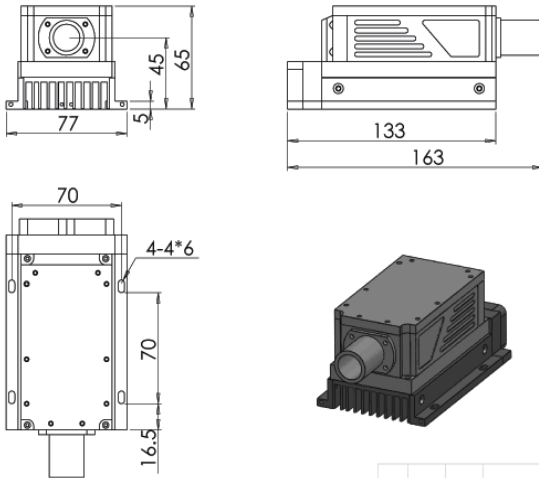
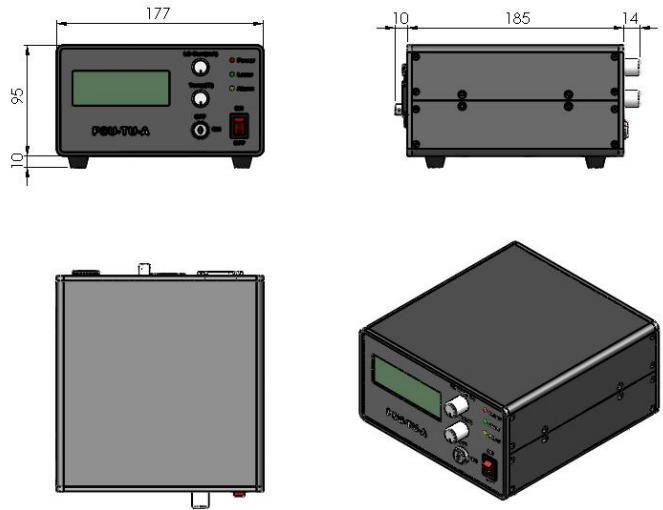
Red diode laser at 638~644nm is made features of TEM₀₀ mode, tunable wavelength, easy operation, which is used in holography, fluorescence sensors, spectroscopy, Biology, Photochemistry, etc.



SPECIFICATIONS

Wavelength (nm)	638~644	
Operating mode	CW	
Output power (mW)	>1, 2, 3, ..., 40	
Transverse mode	TEM ₀₀	
Power stability (rms, over 4 hours)	<1%, <3%, <5%	
Ellipticity	>0.98	
Beam quality (M ²)	<1.1	
Polarization ratio	no fixed polarization	>50:1 (>100:1 optional)
Beam divergence, full angle (mrad)	<1.0	
Beam diameter at the aperture (1/e ² , mm)	~1.0	
Pointing stability after warm-up (mrad)	<0.05	
Beam height from base plate (mm)	45	
Warm-up time (minutes)	<5	
Operating temperature (°C)	10~30	
Power supply (90-264VAC)	PSU-TU-A	
Modulation option	TTL/Analog 1Hz-5KHz, 1Hz-10KHz, 1Hz-30KHz, and TTL on/off	
Expected lifetime (hours)	10000	
Warranty period	1 year	



TUN-F-638-644	PSU-TU-A
 <p>163(L)×77(W) ×65(H) mm³, 3.5kg</p>	 <p>185 (L) ×177(W) ×105 (H) mm³, 1.5kg</p>