

AO-L-1064 /1~1500μJ/1~5W



**LD PUMPED ALL-SOLID-STATE
AOM Q-SWITCHED LASER**

All solid state AOM Q-switched laser at 1064 nm has the features of high peak power, high repetition rate, and short pulse duration, which is used in laser inner cover, laser marking, scientific research and so on.

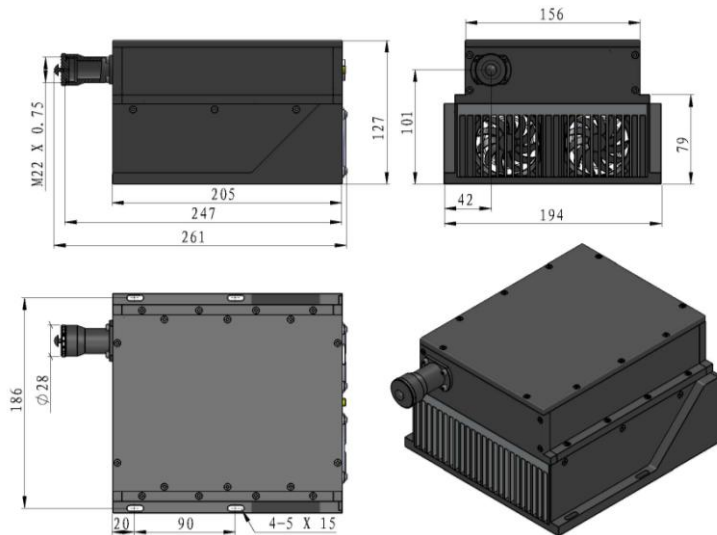


SPECIFICATIONS

	AO-L-1064- I	AO-L-1064- II	AO-L-1064-III
Wavelength (nm)	1064±1		
Operating mode	Acousto-Optics Q-switched		
Average power (W)	0.001~1W (1W@1kHz)	1~5W (5W@10kHz)	1~5W (5W@10-200kHz)
	Average power (W) = Single pulse energy (mJ) * Rep. rate (kHz)		
Single pulse energy (μJ)	1~1500 (1500μJ @ 1Hz; 1000μJ @ 1kHz)	1~1000 (1000μJ @ 1kHz; 500μJ @ 10kHz)	1~500 (500μJ @ 10kHz; 50μJ @ 100kHz)
Rep. rate (kHz)	0.001~1kHz	1~10kHz	10~200kHz
Pulse duration (ns)	Typically ~10 @ 1kHz	Typically ~10 @ 10kHz	Typically ~55 @ 100kHz
Peak power (kW)	1~150 (150kW@1Hz)	1~100 (100kW@1kHz)	1~50 (50kW@10kHz)
Ave power stability (over 4 hours)	<1%, <3%, <5%		
Warm-up time (minutes)	<10		
Beam divergence, full angle (mrad)	~2.5		
Beam diameter at the aperture (1/e ² ,mm)	~1.0		
Beam height from base plate (mm)	101		
Polarization ratio	>100:1		
Cooled method	Air cooled		
Operating temperature (°C)	10~35		
Power supply (220/110VAC)	PSU-AOM(3U)		
Expected lifetime (hours)	10000		
Warranty period	1 year		

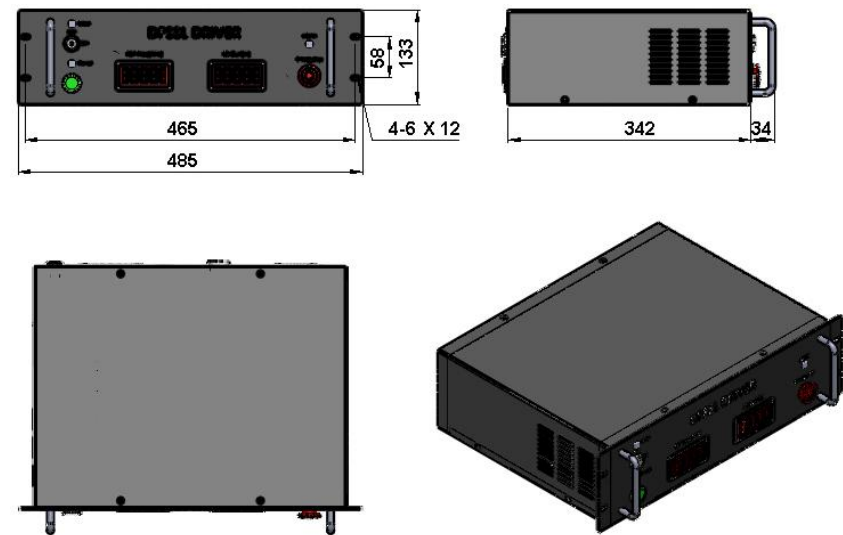


AO-L-1064



261(L) x194(W) x127 (H) mm³, 5.4 kg

PSU-AOM(3U)



485(L) x376(W) x133 (H) mm³, 13.2 kg