

DPS-1064-B/1~30mJ

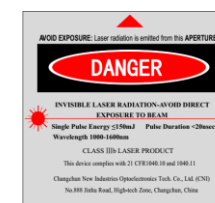
SPECIFICATIONS

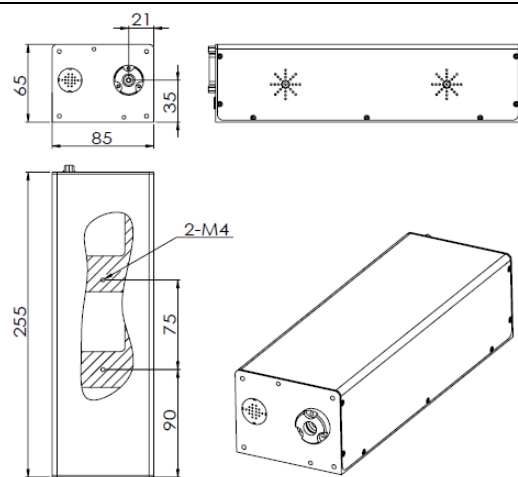
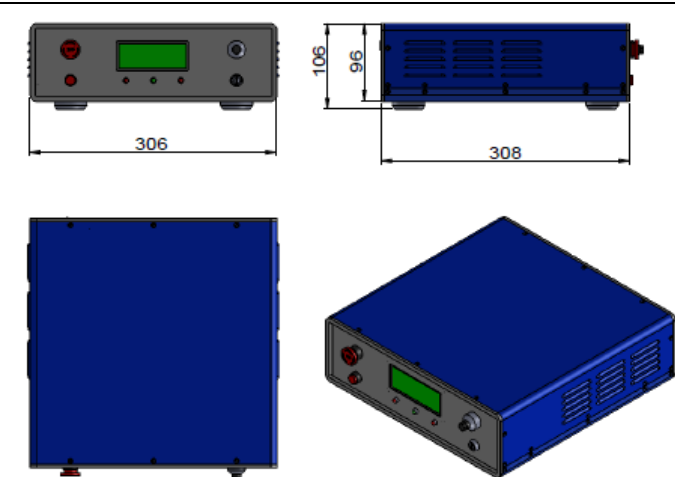
**HIGH ENERGY DIODE
PUMPED ALL-SOLID-STATE
Q-SWITCHED LASER**

High energy diode pumped all solid state Q-switched laser at 1064nm has the features of high single pulse energy, short pulse duration, and high peak power, which is widely used in LIBS, LIF, ICP-MS, LCD repair, scientific research, military, and so on.



Wavelength (nm)	1064±1
Operating mode	Q-switched: EOM (Electro-optic modulation)
Single pulse energy (mJ)	1~30
Pulse duration (ns)	<10
Rep. rate (Hz)	1~10, EXT (adjustable)
Energy stability (rms)	<3%
Beam divergence, full angle (mrad)	~1
Beam diameter (mm)	≤3
Warm-up time (minutes)	<15
Beam height from base plate (mm)	35
Cooled method	Air cooled
Operating temperature (°C)	15~30
Power supply (220VAC)	PSU-DPS-B
Expected lifetime (pluses)	10 ⁹
Warranty period	1 year



DPS-1064-B	PSU-DPS-B
 <p>255(L)×85(W)×65(H)mm³, 3 kg</p>	 <p>308(L)×306(W)×106(H) mm³, 5.5 kg</p>