

DPS-1064-C/10~30mJ

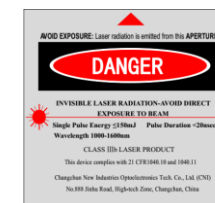
SPECIFICATIONS

**HIGH ENERGY DIODE PUMPED
ALL-SOLID-STATE
Q-SWITCHED LASER**

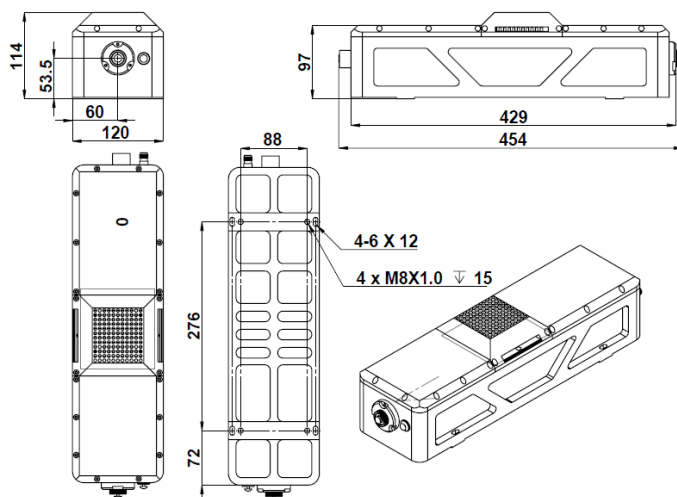
High energy diode pumped all solid state Q-switched laser at 1064nm has the features of high single pulse energy, short pulse duration, and high peak power, which is widely used in LIF, LIBS, ICP-MS scientific research, laser processing, military, and so on.



Wavelength (nm)	1064±1		
Operating mode	Q-switched: EOM (Electro-optic modulation)		
Single pulse energy (mJ)	10@15Hz	20@15Hz	30@15Hz
Pulse duration (ns)	~10		
Rep. rate (Hz)	10~40		
Energy stability	<4%		
Beam divergence, full angle (mrad)	~3		
Beam diameter (mm)	~2	~2.5	~3
Warm-up time (minutes)	<15		
Beam height from base plate (mm)	53.5		
Cooled method	Air Cooled		
Operating temperature (°C)	15~35		
Power supply (220VAC)	PSU-DPS-Q-I(3U)		
Expected lifetime (pulses)	10 ⁹		
Warranty period	1 year		
Available options	Other repetition rates; Jitter:~1ns(Sdev); Accessories		

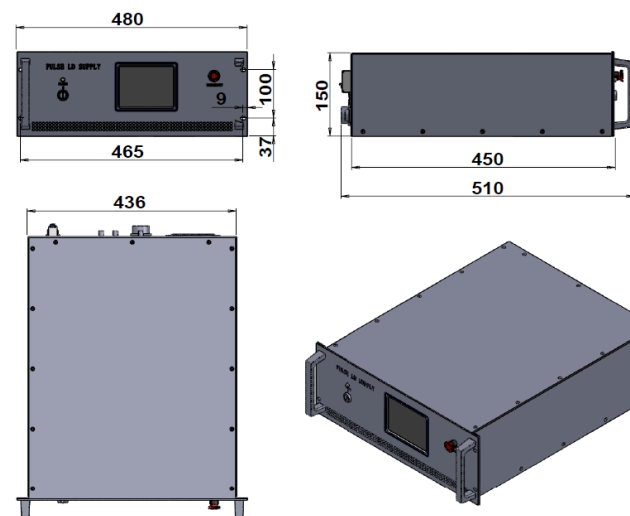


DPS-1064-C



454 (L) ×120(W) ×114(H) mm³, 10 kg

PSU-DPS-Q-I (3U)



510(L) ×480(W) ×150(H) mm³, 15 kg

Rep. Rate and Current can be adjusted by touch screen(Pictures are for reference only.)