

DPS-1064-Mini/1~20mJ

SPECIFICATIONS

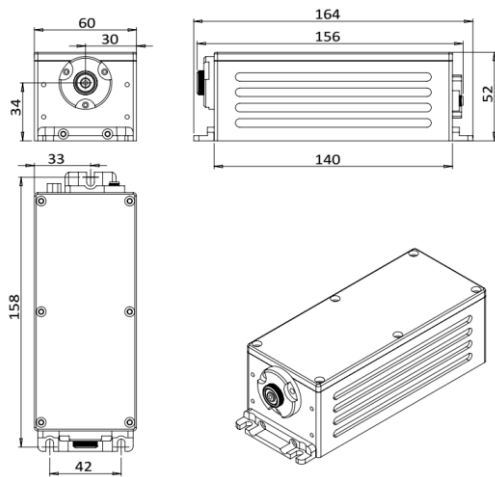
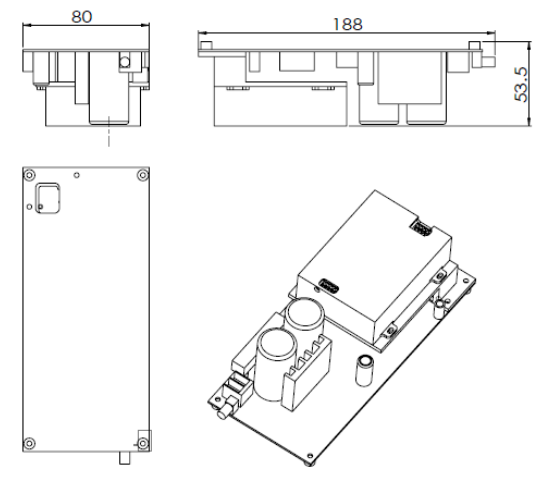
**HIGH ENERGY DIODE  
PUMPED ALL-SOLID-STATE  
Q-SWITCHED LASER**

High energy diode pumped all solid state Q-switched laser at 1064nm has the features of high single pulse energy, short pulse duration, and high peak power, which is widely used in LIBS, LIF, ICP-MS, LCD repair, scientific research, military, and so on.



|                                    |  |
|------------------------------------|--|
| Wavelength (nm)                    | 1064±1                                     |
| Operating mode                     | Q-switched: EOM (Electro-optic modulation) |
| Single pulse energy (mJ)           | 1~20                                       |
| Pulse duration (ns)                | <10  |
| Rep. rate (Hz)                     | INT: 1, EXT: 1~2                           |
| Energy stability (rms)             | <3%  |
| Beam divergence, full angle (mrad) | <3   |
| Beam diameter (mm)                 | ~3   |
| Warm-up time (minutes)             | <15  |
| Beam height from base plate (mm)   | 34   |
| Cooled method                      | Air cooled                                 |
| Operating temperature (°C)         | 15~30                                      |
| Power supply (220VAC/24VDC)        | PSU-DPS-Mini                               |
| Expected lifetime (pulses)         | 10 <sup>9</sup>                            |
| Warranty period                    | 1 year                                     |
| Available options                  | Jitter(Sdev):~1ns; Battery power supply    |



| DPS-1064-Mini  | PSU-DPS-Mini(OEM,24V)  |
|--|--|
|  <p>164(L)×60(W)×52(H) mm<sup>3</sup>, 1.3kg</p> |  <p>188(L)×80(W)×53.5(H) mm<sup>3</sup>, 1kg</p> |