

MDL-XS-785/1~80mW



**DIODE XS SERIES LASER
AT 785nm**

Diode XS series laser module at 785nm, features with integrated electronics, plug and play, miniaturization, standardization of interface advantages of continuous diode lasers. It is the ideal solution for a wide range of applications including life sciences, environmental monitoring, inspection and machine vision.

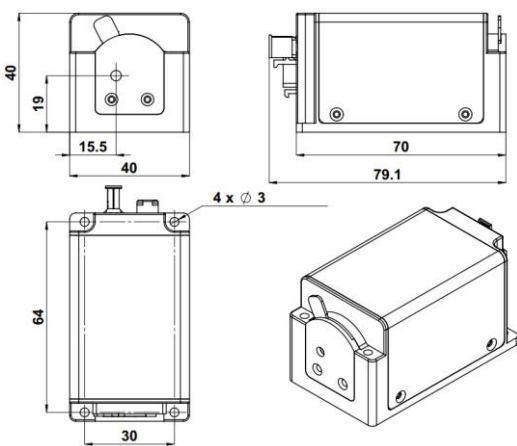
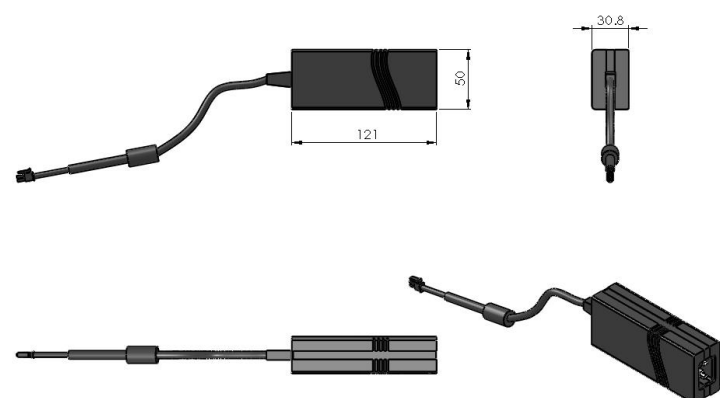


SPECIFICATIONS

Wavelength (nm)	785±5
Operating mode	CW
Output power (mW)	>1, 10, 20, ...,80
Power stability (rms, over 4 hours)	<1%, <3%
Transverse mode	Near TEM ₀₀
Noise of amplitude(rms,20Hz~20MHz)	<1%(<0.5%, optional)
M ² factor	<1.5
Beam diameter at the aperture (1/e ² ,mm)	~4.0
Beam divergence, full angle (mrad)	<1.0
Warm-up time (minutes)	<5
Beam height from base plate (mm)	19
Operating temperature (°C)	10~35
Input voltage	+12VDC
Modulation option	DMOD (TTL) or AMOD (Analog) up to 1MHz DMOD+ AMOD (TTL + Analog)
Expected lifetime (hours)	10000
Warranty	1 year



Note: The laser head needs to be used on a heat sink with good heat dissipation.

MDL-XS-785	Optional Power Supply
 <p>79.1(L) ×40(W) ×40 (H) mm³, 0.2kg</p>	 <p>121(L) ×50(W) ×30.8 (H) mm³, 0.3kg</p>