

MIL-N-1064/4000~5000mW



**LD PUMPED ALL-SOLID-STATE INFRARED LASER AT 1064 nm**

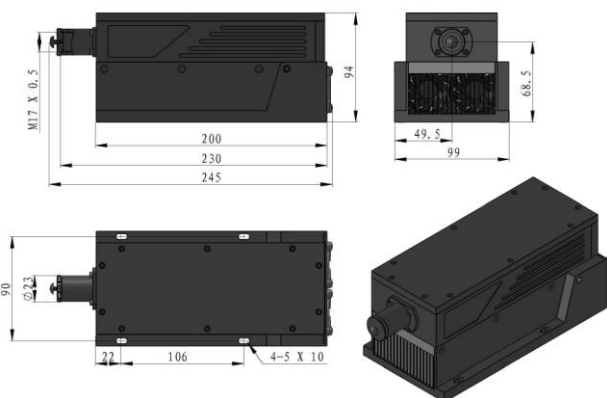
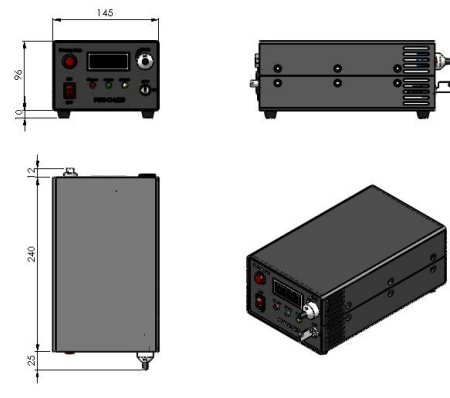
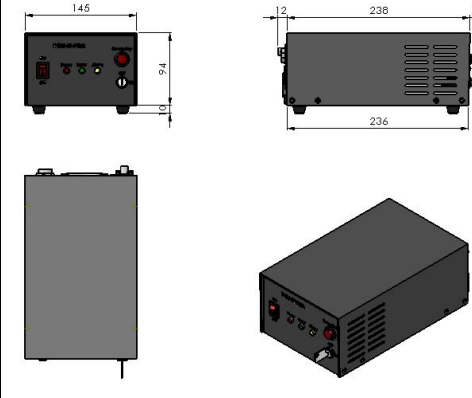
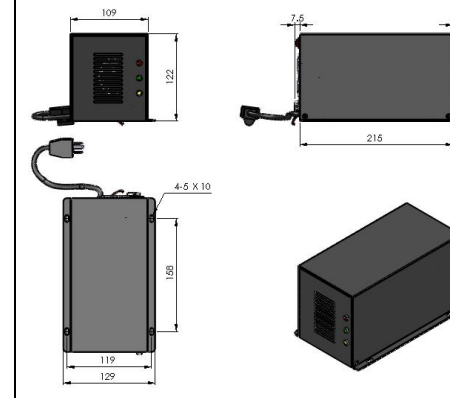
All solid state infrared laser at 1064 nm is made features of ultra compact, long lifetime and easy operating, which is used in scientific experiment, optical instrument, optical sensor, measurement, communication, spectrum analysis, etc.



SPECIFICATIONS

Wavelength (nm)	1064±1		
Operating mode	CW		
Output power (mW)	>4000, 4200, 4400, ... ,5000		
Power stability (rms, over 4 hours)	<1%, <3%, <5%		
Transverse mode	Near TEM <sub>00</sub>		
M <sup>2</sup> factor	<3.0		
Beam divergence, full angle (mrad)	<1.5		
Beam diameter at the aperture (1/e <sup>2</sup> ,mm)	~3.0		
Warm-up time (minutes)	<10		
Polarization ratio	>100:1		
Beam height from base plate (mm)	68.5		
Pointing stability after warm-up (mrad)	<0.05		
Operating temperature (°C)	10~35		
Power supply (90-264VAC)	PSU-H-LED	PSU-H-FDA	PSU-N-OEM
TTL / Analog modulation	TTL or Analog with 1Hz-1KHz 1KHz-10KHz, 10KHz-30KHz optional		
Expected lifetime (hours)	10000		
Warranty period	1 year		



MxL-N-1064	PSU-H-LED	PSU-H-FDA	PSU-N-OEM
 <p>245(L)×99(W)×94(H) mm<sup>3</sup>, 2.5 kg</p>	 <p>277(L)×145(W)×106(H) mm<sup>3</sup>, 2.6 kg</p>	 <p>275 (L)×145(W)×104 (H) mm<sup>3</sup>, 2.4 kg</p>	 <p>215 (L)×129 (W)×122 (H) mm<sup>3</sup>, 2.1 kg</p>