

MIL-W-1940/1~11W

LD PUMPED ALL-SOLID-STATE INFRARED LASER AT 1940nm

All solid state infrared laser module at 1940nm is made features of ultra compact, long lifetime, low cost and easy operating, which is used in measurement, communication, spectrum analysis, etc.

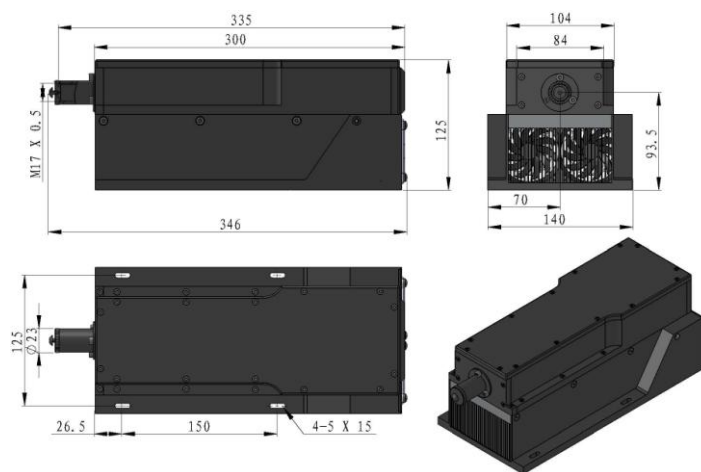


SPECIFICATIONS

Wavelength (nm)	1940±1
Operating mode	CW
Output power (W)	>1, 2, 3, ..., 11
Power stability (rms, over 4 hours)	<3%, <5%, <10%
M ² factor	<4
Beam divergence, full angle (mrad)	<8
Beam diameter at the aperture (1/e ² ,mm)	<4
Polarization ratio	~500:1
Beam height from base plate (mm)	93.5
Warm-up time (minutes)	<10
Operating temperature (°C)	10~35
Power supply (90-264VAC)	PSU-W-FDA
Modulation option	TTL/Analog 1Hz-5KHz, 1Hz-10KHz, 1Hz-30KHz, and TTL on/off
Expected lifetime (hours)	10000
Warranty period	1 year

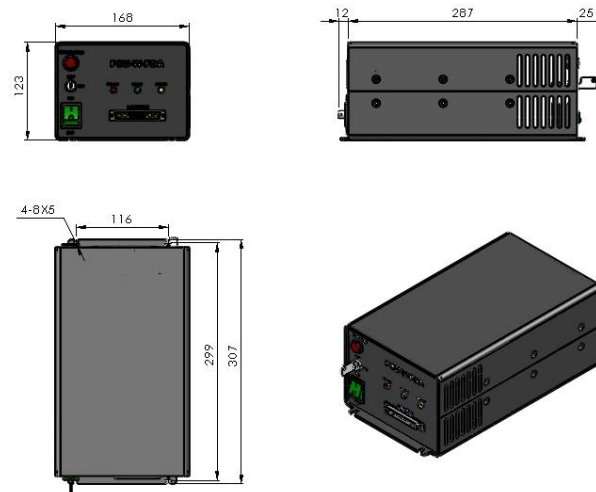


MIL-W-1940



346(L)×140(W)×125(H) mm³, 5.7kg

PSU-W-FDA



307 (L) ×168(W) ×123(H) mm³, 4.5kg