

MIL-W-2096/1~3W

LD PUMPED ALL-SOLID-STATE INFRARED LASER AT 2096nm

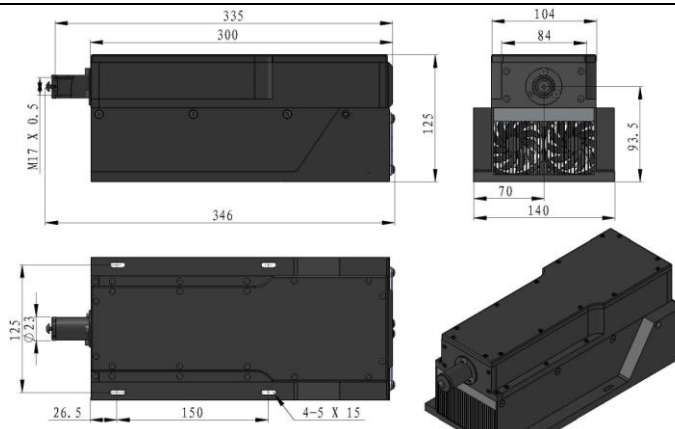
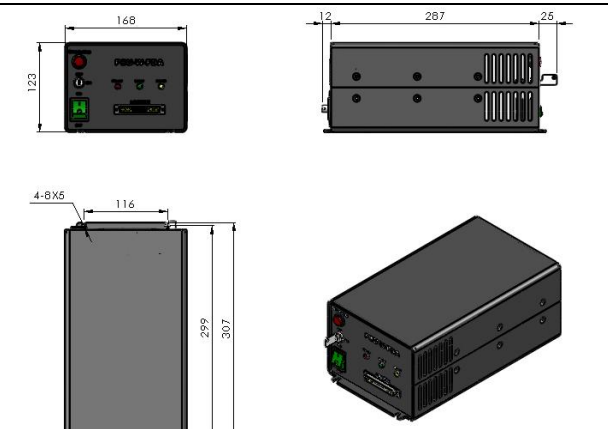
All solid state 2096nm infrared laser is made features of high power ,good beam quality and easy operating, which is widely used in material processing especially for plastics, FSO communication, military and security applications and for pumping of laser sources for the mid infrared region, medical procedures such as precise tissue ablation, ophthalmic surgery or dentistry, suppresses the bleeding during operations, etc.



SPECIFICATIONS

Wavelength (nm)	2096±2
Operating mode	CW
Output power (W)	>1, 2, 3
Power stability (rms, over 4 hours)	<3%, <5%
M ² factor	<3
Beam divergence, full angle (mrad)	<4
Beam diameter at the aperture (1/e ² ,mm)	<2
Polarization ratio	~500:1
Beam height from base plate (mm)	93.5
Warm-up time (minutes)	<10
Operating temperature (°C)	10~35
Power supply (90-264VAC)	PSU-W-FDA
Expected lifetime (hours)	10000
Warranty period	1 year



MIL-W-2096	PSU-W-FDA
 <p>346(L)×140(W) ×125(H) mm³, 5.7kg</p>	 <p>307 (L) ×168(W) ×123(H) mm³, 4.5kg</p>