

MIL-W-2790/10~300mW

LD PUMPED ALL-SOLID-STATE INFRARED LASER

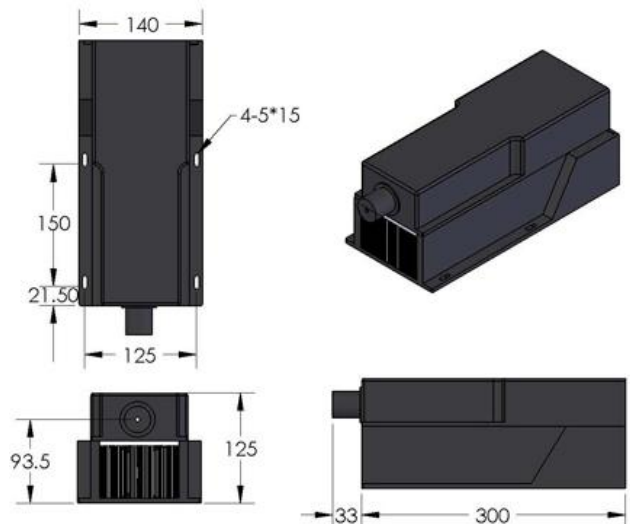
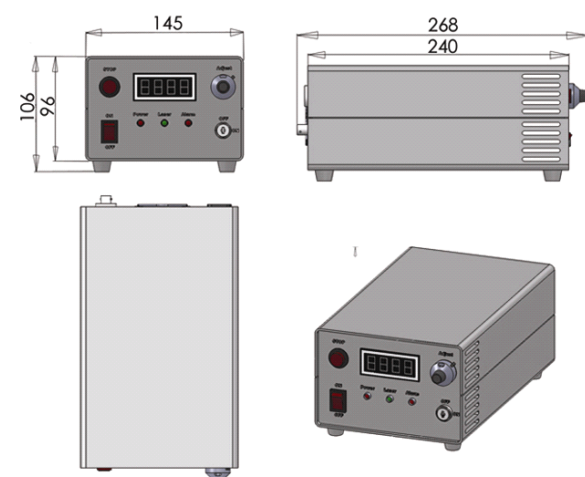
All solid state 2790nm infrared laser is always called waterlase. It is made features of good beam quality and easy operating which is widely used in military and medical treatment in which it can perform many procedures without a shot or a drill.



SPECIFICATIONS

Wavelength (nm)	2790±3
Output power (mW)	>10, 20, ...300
Operating mode	CW
Power stability (rms, over 4 hours)	<3%
Warm-up time (minutes)	<10
Beam divergence, full angle (mrad)	<8
Beam diameter at the aperture (mm)	<3
Beam height from base plate (mm)	45
Operating temperature (°C)	10~30
Power supply (90-264VAC)	PSU-H-LED
Expected lifetime (hours)	10000
Warranty period	1 year



MxL-W-2790	PSU-H-LED
 <p>333(L)×140(W)×125(H) mm³, 6.1 kg</p>	 <p>268 (L) ×145(W) ×106 (H) mm³, 2.6 kg</p>