

Macro/Micro-1319-P/7W

**MODE-LOCKED
MACRO-MICRO-PULSED
LASER AT 1319nm**

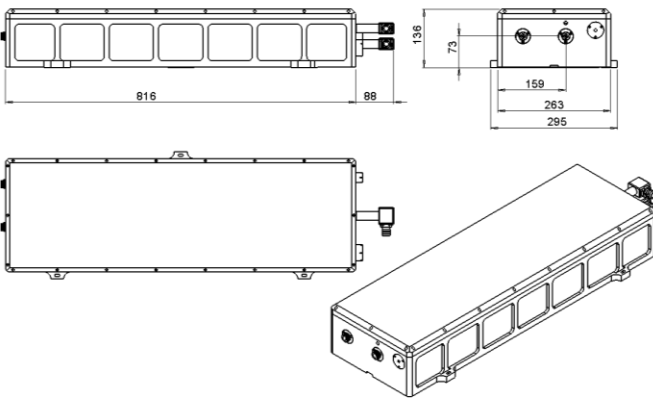
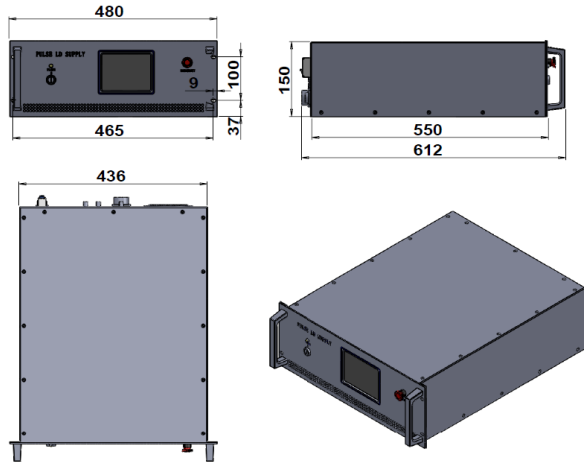
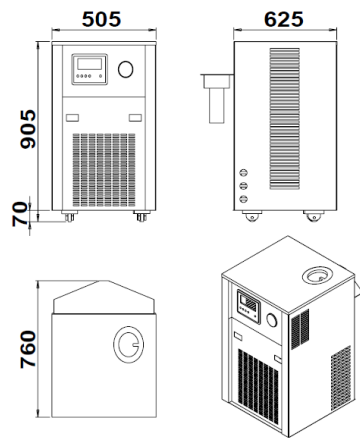
Mode-locked macro-micro-pulsed laser at 1319nm has the features of high repetition rate, short pulse duration, and high average power, which is widely used in laser communication, sense, scientific research, astronomy, and so on.



SPECIFICATIONS

Wavelength (nm)	1319±1	
Operating mode	Mode-locked	
Output power (W)	7	
Macro-Pulse duration (us)	160	
Macro-Rep. rate (Hz)	500	
Micro-Pulse duration (ns)	1.5	
Micro-Rep. rate (MHz)	~100	
Linewidth (GHz)	1	0.4
Energy stability	<3%	
Warm-up time (minutes)	<15	
Beam divergence, full angle (mrad)	0.9	
Beam diameter (mm)	4	
Beam height from base plate (mm)	73	
Cooled method	Water Cooled	
Operating temperature (°C)	15~35	
Power supply (220/110VAC)	PSU-Macro/Micro-P (3U)	
Expected lifetime (pulses)	10 ⁹	
Warranty period	1 year	
Available Options	Higher output power: up to 18W; Power supply: PSU-Macro/Micro-P (×2)	



Macro/Micro-1319-P	PSU-Macro/Micro-P (3U)	Water Chiller
 <p>905 (L) ×295 (W) ×136 (H) mm³, 35kg</p>	 <p>612 (L) ×480 (W) ×150 (H) mm³, 30 kg Rep. Rate and Current can be adjusted by touch screen</p>	 <p>505 (L) ×625 (W) ×975 (H) mm³, 95kg</p>