

PS-R-1064/1~8W

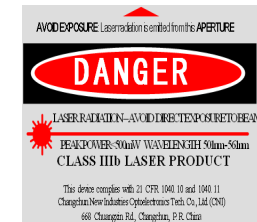
### MODE-LOCKED PICOSECOND PULSED LASER AT 1064nm

Mode-locked picosecond pulsed laser at 1064nm is made features of short pulse duration, high repetition rate and high average power, which is used industrial processing, physics experiment, etc.

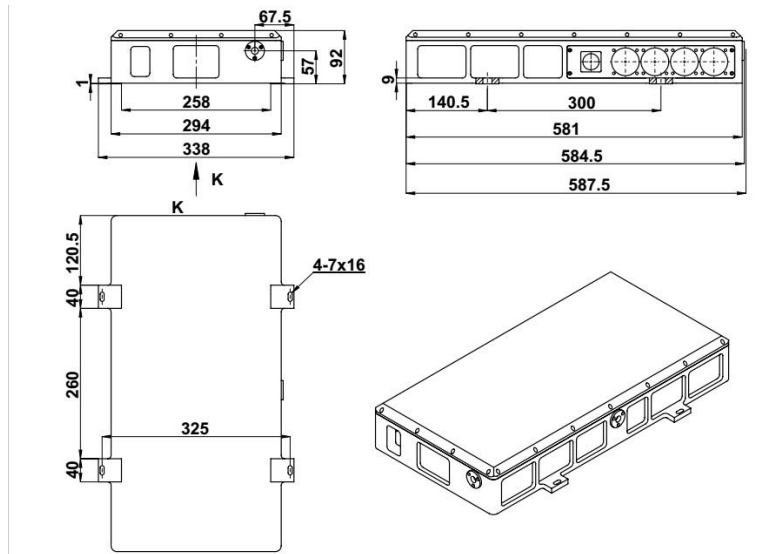


#### SPECIFICATIONS

Wavelength (nm)	1064±1
Operating mode	Mode-locked
Output power (W)	@ Mode-locked mode >1, 2, 3, ... , 8
Power stability (rms, over 4 hours)	<3%, <5%
Transverse mode	TEM <sub>00</sub>
Pulse duration(ps)	10~20
Rep.rate(MHz)	~48
Beam divergence, full angle (mrad)	<3
Beam diameter at the aperture (1/e <sup>2</sup> ,mm)	~1.5
Beam height from base plate (mm)	57
Warm-up time (minutes)	<10
Operating temperature (°C)	10~30
Power Supply(90-264VAC)	PSU-Z-LED
Expected lifetime (hours)	10000
Warranty period	1 year

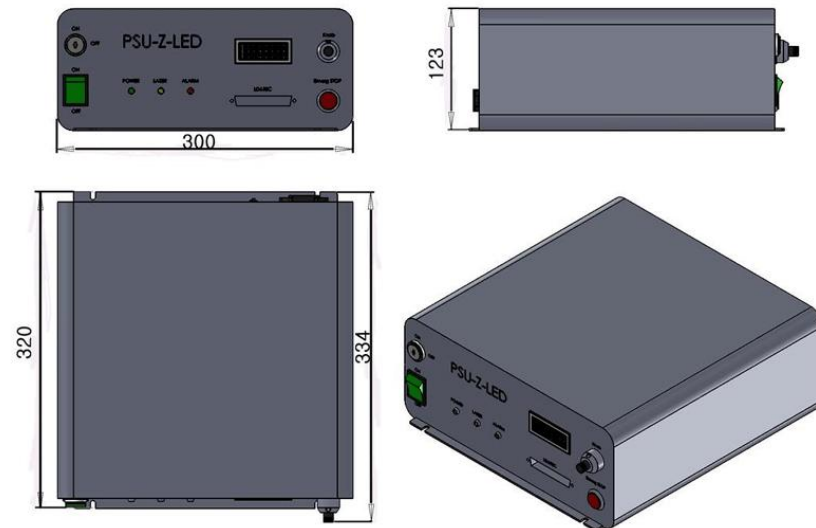


PS-R-1064



581(L)×338(W)×92(H)mm<sup>3</sup>, 19kg

PSU-Z-LED



320(L)×300(W)×123(H)mm<sup>3</sup>, 6.2 kg