


650nm 500mW High Power LD| TO Can Laser Diode| High Power

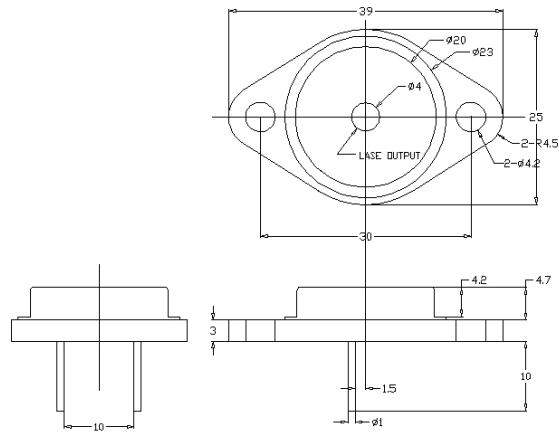
650nm Laser diode 0.5W High Power| TO 3 Package

WSLD-650-500m-3

650nm Laser Diode 500mw		Wavespectrum Laser, Inc	
PARAMETER	SYMBOL	VALUE	UNIT
Reverse Voltage	V_r	2.0	V
Operating Temperature	T_{op}	+10~+25	°C
Storage Temperature	T_{stg}	-40 ~ +85	°C
Lead soldering temperature (10 sec.)	T_{is}	280	°C
Features: <ul style="list-style-type: none"> 650nm High power ,CW, Multi-mode High Quality TO3 package 			
Applications: <ul style="list-style-type: none"> Medical laser treatment Laser indicator Laser detector 			
Specifications		WSLD-650-500m-3	
		Min	Type
Center Wavelength@25°C		640nm	650nm
Spectral Width (FWHM)			1nm
Output Power			500mW
Emitter Area			100x1μm
Beam Divergence (FWHM)			40°± x 10°//
Temperature Coefficient of Wavelength			0.25nm / °C
Slope Efficiency		0.80W/A	0.95W/A
Threshold Current (Typ.)			0.75A
Operating Current (Typ.)			1.20A
Operating Voltage			2.2V
Package Style		TO3/C-mount	



T03 Package View



Electrically shorten LD module and store in non-extreme conditions.

Suggest using the constant current power supply.

