

## 850nm 500mw laser diodes with TO5 9mm Package

### 850nm 0.5w high power LD

WSLD-850-500m-2-PD

Wavespectrum laser inc.

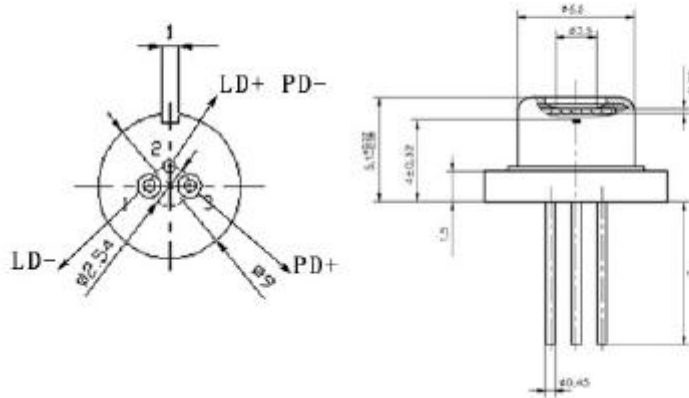
www.wavespectrum-laser.com

850nm Laser Diode 500mw/PD		Wavespectrum Laser, Inc		
Reverse Voltage	$V_r$	2	V	
Operating Temperature	$T_{op}$	-10 ~ +40	°C	
Storage Temperature	$T_{stg}$	-15 ~ +85	°C	
Lead soldering temperature (10 sec.)	$T_{is}$	260	°C	
<b>Features:</b> <ul style="list-style-type: none"> <li>850nm</li> <li>CW</li> <li>Built-in PD Optional</li> <li>TO5 9mm package</li> </ul>				
<b>Applications:</b> <ul style="list-style-type: none"> <li>Medical laser treatment</li> <li>Laser indicator</li> <li>Laser detector</li> </ul>				
<b>Specifications</b>		<b>WSLD-850-500m-2-PD</b>		
		Min	Type	Max
Center Wavelength@25°C		830nm	845nm	860nm
Spectral Width (FWHM)		----	2.0nm	----
Output Power		----	500mW	----
Emitter		----	Single	----
Beam Divergence (FWHM)		22° ± x 4° //	32° ± x 10° //	42° ± x 16° //
Monitor Current		----	----mA	----
Slope Efficiency		0.6mW/mA	0.75mW/mA	----
Threshold Current (Typ.)		----	220mA	265mA
Operating Current (Typ.)		----	890mA	1100mA
Operating Voltage		1.6V	1.8V	2.2V
Package Style		TO5 9mm		
PD		Optional		



TO5(9mm) Package View

封装 TO-5 Package: (Unit: mm)



Electrically shorten LD module and store in non-extreme conditions.  
 Suggest using the constant current power supply.



Please contact us:

Website: [www.wavespectrum-laser.com](http://www.wavespectrum-laser.com) (for more detailed information)

Email: [info@wavespectrum-laser.com](mailto:info@wavespectrum-laser.com) (for inquiry about this product)

