

405nm 20mw SM Laser Diode | Single Mode LD

405nm LD|20mw Power|TO18 Package

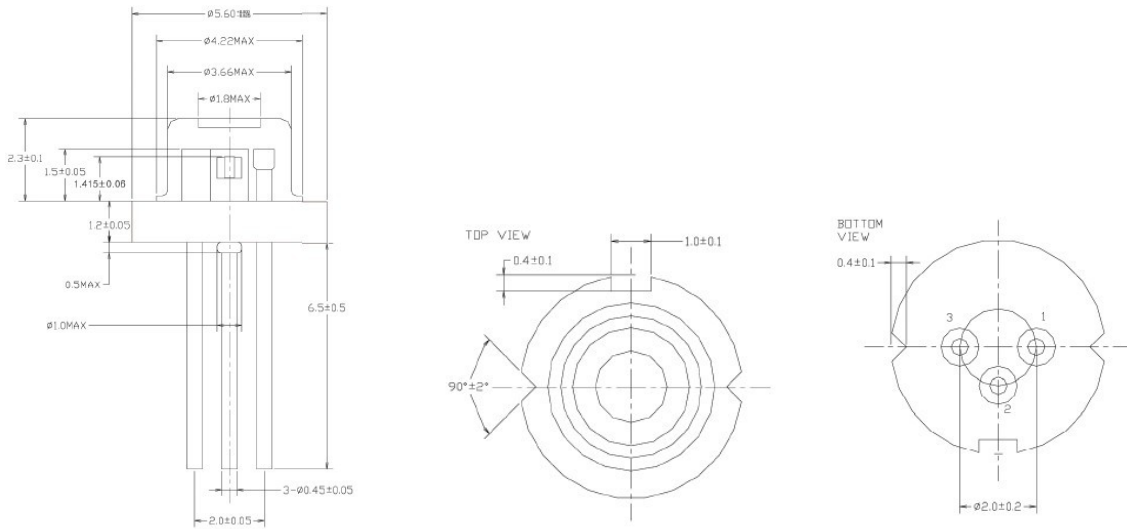
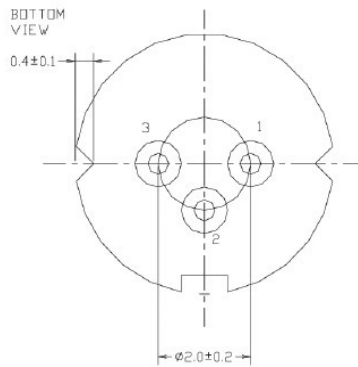
WSLD-405-020m-1

Wavespectrum Laser, Inc.

www.wavespectrum-laser.com

405nm Laser Diode		20mw		Wavespectrum Laser, Inc	
PARAMETER	SYMBOL	VALUE		UNIT	
Reverse Voltage	V_r	2.0		V	
Operating Temperature	T_{op}	0 ~ +75		°C	
Storage Temperature	T_{stg}	-40 ~ +85		°C	
Lead soldering temperature (10 sec.)	T_{is}	260		°C	
Features: <ul style="list-style-type: none"> 405nm CW TO18 package Single Mode 					
Applications: <ul style="list-style-type: none"> Medical Cure Printing 					
Specifications		WSLD-405-020m-1			
		Min	Type	Max	
Center Wavelength@25°C		395nm	405nm	415nm	
Spectral Width (FWHM)		2.0nm			
Output Power		----	10mW	20mW	
Emitter		Single			
Beam Divergence (FWHM)		$16^\circ \pm x 6^\circ //$	$19^\circ \pm x 8.5^\circ //$	$23^\circ \pm x 12^\circ //$	
Monitor Current		----	----	----	
PD Reverse Voltage		----			
PD Forward Current		----			
Slope Efficiency		0.7mW/mA	1.1mW/mA	----	
Threshold Current (Typ.)		----	26mA	50mA	
Operating Current (Typ.)		----	35mA	60mA	
Operating Voltage		4.8V		5.6V	
Package Style		TO18(5.6mm)			



TO18(5.6mm) Package View

PIN Bottom View:


1	LD(-)
2	GND
3	LD(+)

Electrically shorten LD module and store in non-extreme conditions.
 Suggest using the constant current power supply.

