

635nm 1W Laser Diode| High Power| TO Can

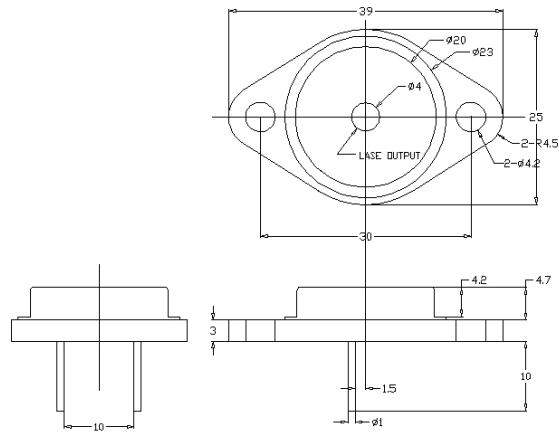
635nm LD 1W High Power| TO 3 Package

WSLD-635-001-3

635nm Laser Diode 1000mw		Wavespectrum Laser, Inc	
PARAMETER	SYMBOL	VALUE	UNIT
Reverse Voltage	V_r	2.0	V
Operating Temperature	T_{op}	+10~+25	°C
Storage Temperature	T_{stg}	-40 ~ +85	°C
Lead soldering temperature (10 sec.)	T_{is}	280	°C
Features: <ul style="list-style-type: none"> 635nm High power ,CW, Multi-mode High Quality TO3 package 			
Applications: <ul style="list-style-type: none"> Medical laser treatment Laser indicator Laser detector 			
Specifications		WSLD-635-001-3	
		Min	Type
Center Wavelength@25°C		630nm	635nm
Spectral Width (FWHM)		----	1nm
Output Power		----	1W
Emitter Area		----	200x1μm
Beam Divergence (FWHM)		----	40°± x 10°//
Temperature Coefficient of Wavelength		----	0.25nm / °C
Slope Efficiency		0.85W/A	0.90W/A
Threshold Current (Typ.)		----	1.00A
Operating Current (Typ.)		----	2.1A
Operating Voltage		----	2.3V
Package Style		TO3	



T03 Package View



Electrically shorten LD module and store in non-extreme conditions.

Suggest using the constant current power supply.

