

## 405nm 20mw SM Laser Diode | Single Mode LD

### 405nm LD|20mw Power|TO18 Package| Built-in PD

WSLD-405-020m-1-PD

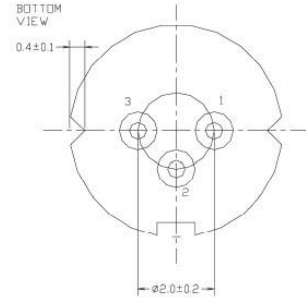
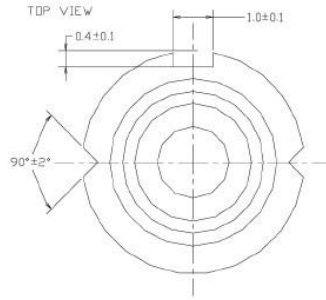
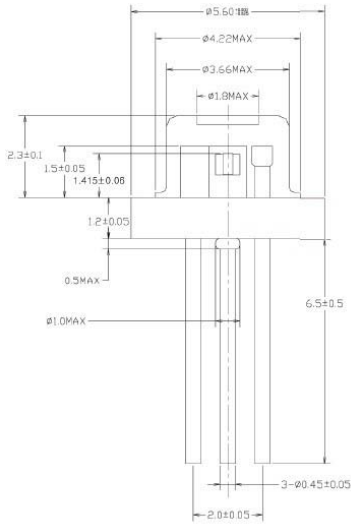
Wavespectrum Laser, Inc.

www.wavespectrum-laser.com

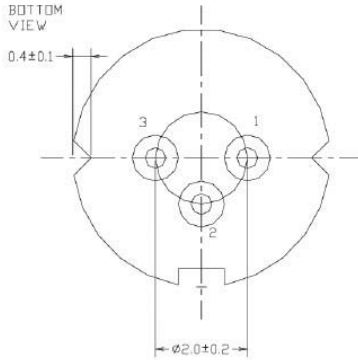
405nm Laser Diode		20mw		Wavespectrum Laser, Inc	
PARAMETER	SYMBOL	VALUE		UNIT	
Reverse Voltage	$V_r$	2.0		V	
Operating Temperature	$T_{op}$	0 ~ +75		°C	
Storage Temperature	$T_{stg}$	-40 ~ +85		°C	
Lead soldering temperature (10 sec.)	$T_{is}$	260		°C	
<b>Features:</b> <ul style="list-style-type: none"> <li>405nm</li> <li>Built-in PD</li> <li>TO18 package</li> <li>Single Mode Beam</li> </ul>					
<b>Applications:</b> <ul style="list-style-type: none"> <li>Medical Cure</li> <li>Printing</li> <li>Others</li> </ul>					
<b>Specifications</b>		<b>WSLD-405-020m-1-PD</b>			
		Min	Type	Max	
Center Wavelength@25°C		395nm	405nm	415nm	
Spectral Width (FWHM)		1.5nm			
Output Power		----	10mW	20mW	
Beam Mode		Single Mode			
Beam Divergence (FWHM)		$16^\circ \pm x 6^\circ //$	$19^\circ \pm x 8.5^\circ //$	$23^\circ \pm x 12^\circ //$	
Monitor Current		0.1mA	0.2mA	0.5mA	
Recommend Temperature		25 °C			
		----			
Slope Efficiency		0.7mW/mA	1.1mW/mA	----	
Threshold Current (Typ.)		----	26mA	50mA	
Operating Current (Typ.)		----	35mA	60mA	
Operating Voltage			4.8V	5.6V	
Package Style		TO18 (5.6mm)			



**TO18(5.6mm) Package View**



**PIN Bottom View:**



<b>1</b>	<b>LD(+)</b>
<b>2</b>	<b>LD(-)&amp;PD(-)</b>
<b>3</b>	<b>PD(+)</b>

Electrically shorten LD module and store in non-extreme conditions.  
Suggest using the constant current power supply.



Wavespectrum Laser, Inc.  
www.wavespectrum-laser.com  
wavespectrumlaser@gmail.com

