

## 405nm 150mw SM Laser Diode| Single mode LD

### 405nm SMLD| 150mw Power|3.8mm Package

WSLD-405-150m-1

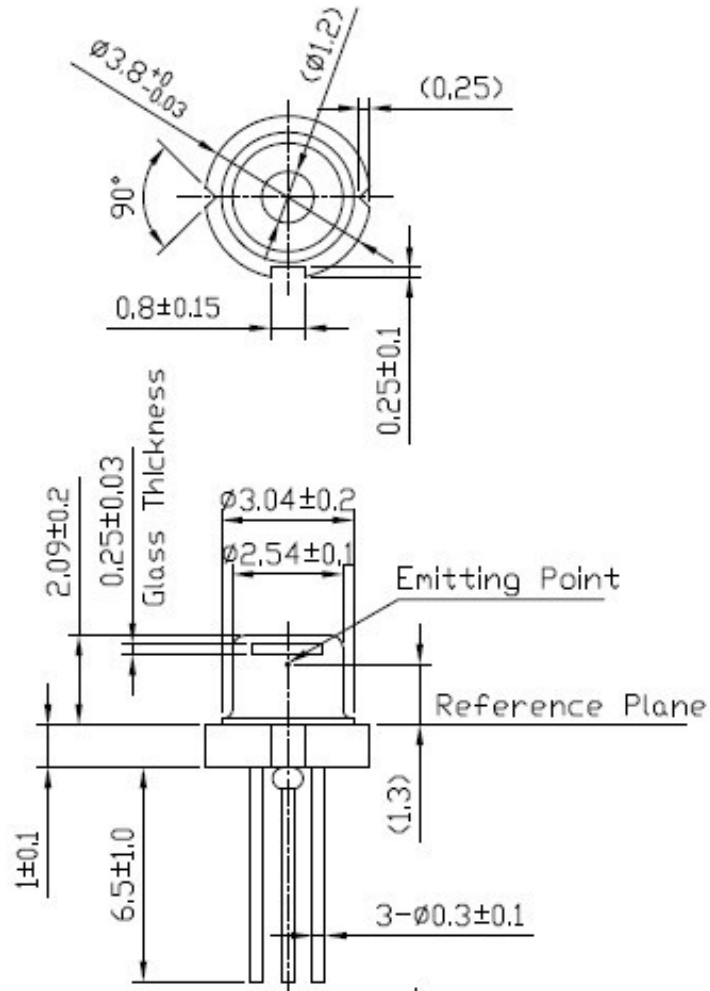
Wavespectrum Laser, Inc.

www.wavespectrum-laser.com

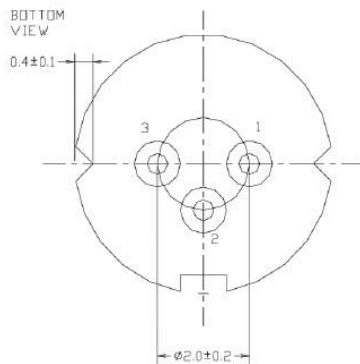
405nm Laser Diode		150mw		Wavespectrum Laser, Inc	
PARAMETER	SYMBOL	VALUE		UNIT	
Reverse Voltage	$V_r$	2.0		V	
Operating Temperature	$T_{op}$	0 ~ +70		°C	
Storage Temperature	$T_{stg}$	-40 ~ +85		°C	
Lead soldering temperature (10 sec.)	$T_{is}$	260		°C	
<b>Features:</b> <ul style="list-style-type: none"> <li>405nm</li> <li>CW/Pulse</li> <li>Single Mode Beam</li> <li>3.8mm Package</li> </ul>					
<b>Applications:</b> <ul style="list-style-type: none"> <li>Medical laser treatment</li> <li>Printing</li> <li>Others</li> </ul>					
<b>Specifications</b>		<b>WSLD-405-150m-1</b>			
		Min	Type	Max	
Center Wavelength@25°C		400nm	405nm	410nm	
Spectral Width (FWHM)		2.0nm			
Output Power (CW)		----	150mW	----	
Beam Type		Single Mode Beam			
Beam Divergence (FWHM)		$15^\circ \pm x 7^\circ //$	$20^\circ \pm x 9^\circ //$	$24^\circ \pm x 12^\circ //$	
Recommended Operating Temperature		25 °C			
Slope Efficiency		----	1.6mW/mA	1.9mW/mA	
Threshold Current (Typ.)		----	40mA	50mA	
Operating Current (Typ.)		----	130mA	170mA	
Operating Voltage		4.5V	5.0V	5.5V	
Package Style		3.8mm			
Output Power (Pulse Mode)		300mW			
		Pulse Mode Condition : Width 30ns Duty 50%			



Drawing



PIN Bottom View:



1	LD(+)
2	GND
3	LD(-)



Electrically shorten LD module and store in non-extreme conditions.  
Suggest using the constant current power supply.

