

808nm 500mw laser diodes with TO5 9mm package

808nm 0.5w high power LD

WSLD-808-500m-2-PD

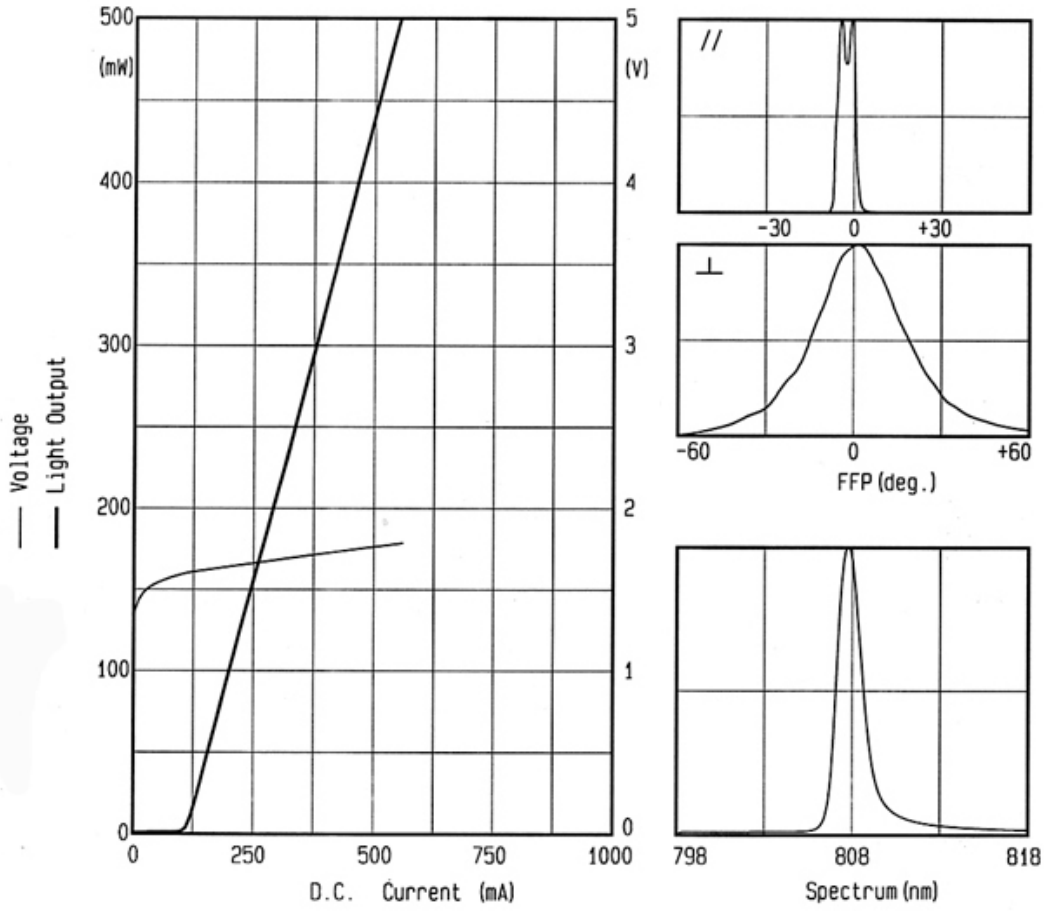
Wavespectrum laser inc.

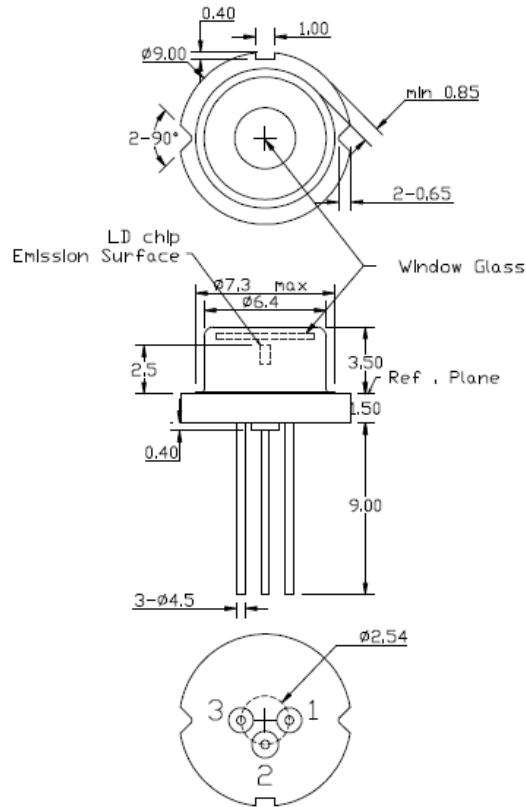
www.wavespectrum-laser.com

808nm Laser Diode 500mw		Wavespectrum Laser, Inc		
Reverse Voltage	V_r	2.0	V	
Operating Temperature	T_{op}	-10 ~ +50	°C	
Storage Temperature	T_{stg}	-40 ~ +85	°C	
Lead soldering temperature (10 sec.)	T_{is}	260	°C	
Features: <ul style="list-style-type: none"> 808nm 500mW output Power TO5(9mm) package Built-in Photodiodes 				
Applications: <ul style="list-style-type: none"> Medical laser treatment Laser indicator Others 				
Specifications		WSLD-808-500m-2-PD		
		Min	Type	Max
Center Wavelength@25°C		805nm	808nm	811nm
Spectral Width (FWHM)		----	2.5nm	----
Output Power		----	500mW	----
Emitter Area		----	50x1μm	----
Beam Divergence (FWHM)		----	36°± x 10°//	40°± x 12°//
Temperature Coefficient of Wavelength		----	0.28nm / °C	----
Slope Efficiency		----	1.0W/A	----
Threshold Current (Typ.)		----	----	0.15A
Operating Current (Typ.)		----	----	0.65A
Operating Voltage		----	1.6V	2.2V
Package Style		TO5 (9mm)		
Recommended Operating Temperature		25°C		



Spectrum



TO5(9mm) Package View


1	LD(-)
2	LD(+)&PD(-)
3	PD(+)

Electrically shorten LD module and store in non-extreme conditions.
 Suggest using the constant current power supply.



Please contact us:

Website: www.wavespectrum-laser.com (for more detailed information)

Email: info@wavespectrum-laser.com (for inquiry about this product)

