

980nm 250mw~300mw laser diodes with 9mm Package

980nm LD 250mw with TO5 Package

WSLD-980-250m-2-PD

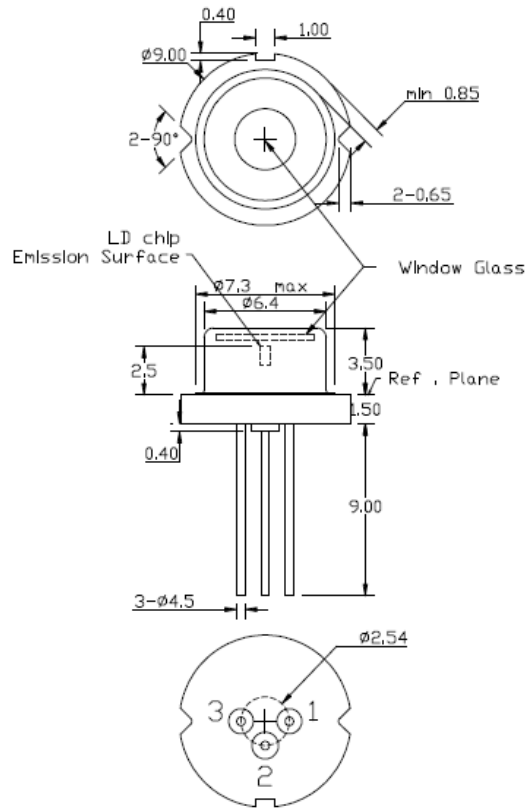
Wavespectrum laser inc.

www.wavespectrum-laser.com

980nm Laser Diode		250mw		Wavespectrum Laser, Inc	
Reverse Voltage	V_r	2.0		V	
Operating Temperature	T_{op}	-10 ~ +45		°C	
Storage Temperature	T_{stg}	-40 ~ +85		°C	
Lead soldering temperature (10 sec.)	T_{is}	260		°C	
Features: <ul style="list-style-type: none"> 980nm 250mW Built-in PD Optional TO5 package 					
Applications: <ul style="list-style-type: none"> Medical laser treatment Laser indicator Laser detector 					
Specifications		WSLD-980-250m-2-PD			
		Min	Type	Max	
Center Wavelength@25°C		970nm	980nm	990nm	
Spectral Width (FWHM)		----	3.0nm	----	
Output Power		----	250mW	----	
Emitter		----	Single	----	
Beam Divergence (FWHM)		----	34°± x 10°//	----	
Temperature Coefficient of Wavelength		----	0.3nm / °C	----	
Slope Efficiency		----	0.8mW/mA	----	
Threshold Current (Typ.)		----	55mA	----	
Operating Current (Typ.)		----	550mA	----	
Operating Voltage		----	1.8V	2.2V	
Monitor Current		----	500uA	----	
Package Style		TO5			



TO5(9mm) Package View



1	LD(-)
2	LD(+)&PD(-)
3	PD(+)

Electrically shorten LD module and store in non-extreme conditions.
Suggest using the constant current power supply.



Please contact us:

Website: www.wavespectrum-laser.com (for more detailed information)

Email: info@wavespectrum-laser.com (for inquiry about this product)

