

980nm 500mw laser diodes 9mm Package

980nm 0.5w LD with TO5

WSLD-980-500m-2-PD

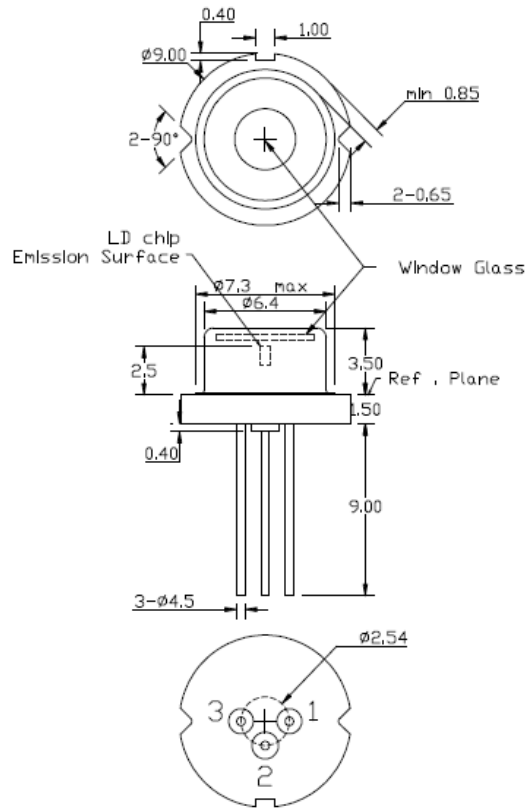
Wavespectrum laser inc.

www.wavespectrum-laser.com

980nm Laser Diode	500mw	Wavespectrum Laser, Inc		
Reverse Voltage	V_r	2.0	V	
Operating Temperature	T_{op}	-10 ~ +40	°C	
Storage Temperature	T_{stg}	-40 ~ +85	°C	
Lead soldering temperature (10 sec.)	T_{is}	260	°C	
Features: <ul style="list-style-type: none"> 980nm 500mW TO5 package Built-in PD Optional 				
Applications: <ul style="list-style-type: none"> Medical laser treatment Laser indicator Laser detector 				
Specifications		WSLD-980-500m-2-PD		
		Min	Type	Max
Center Wavelength@25°C		970nm	980nm	990nm
Spectral Width (FWHM)		----	3.0nm	----
Output Power		----	500mw	----
Emitter Area		----	50x1μm	----
Beam Divergence (FWHM)		----	48°± x 10°//	----
Temperature Coefficient of Wavelength		----	0.3nm / °C	----
Slope Efficiency		0.7mW/mA	0.8mW/mA	----
Threshold Current (Typ.)		----	----	150mA
Operating Current (Typ.)		----	----	850mA
Operating Voltage		----	----	2.0V
Package Style		TO5		
Recommended Operating Temperature		25°C		



TO5(9mm) Package View



1	LD(-)
2	LD(+)&PD(-)
3	PD(+)

Electrically shorten LD module and store in non-extreme conditions.

Suggest using the constant current power supply.



Please contact us:

Website: www.wavespectrum-laser.com (for more detailed information)

Email: info@wavespectrum-laser.com (for inquiry about this product)

