

## 1310nm 20mW DFB laser diodes| TO18 5.6mm LD

### 1310nm 20mw SM LD

WSLD-1310-020m-1-PD

Wavespectrum laser inc.

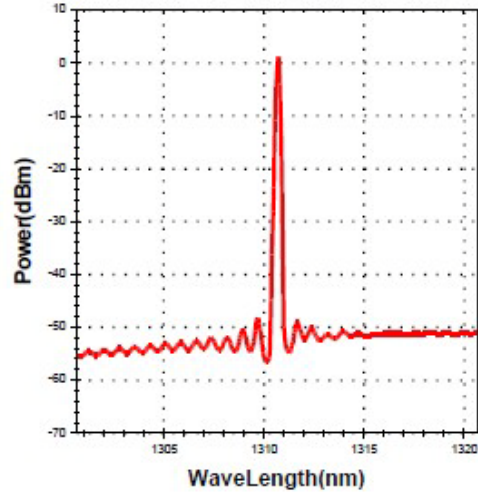
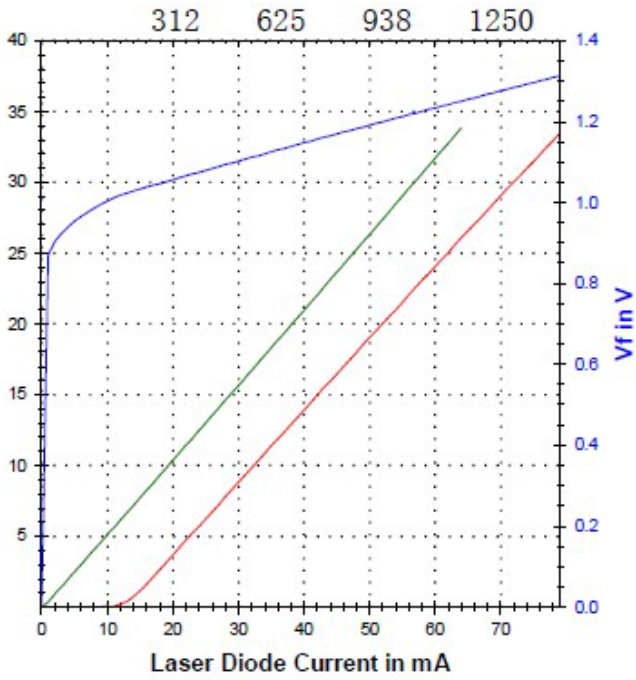
www.wavespectrum-laser.com

1310nm Laser Diode	20mw	single mode /DFB	Wavespectrum Laser, Inc
Reverse Voltage	$V_r$	2.0	V
Operating Temperature	$T_{op}$	-40 ~ +40	°C
Storage Temperature	$T_{stg}$	-40 ~ +85	°C
Lead soldering temperature (10 sec.)	$T_{is}$	260	°C
<b>Features:</b> <ul style="list-style-type: none"> <li>1310nm</li> <li>Built-in PD</li> <li>DFB</li> <li><b>Single Mode</b></li> <li>TO18 package</li> </ul>			
<b>Applications:</b> <ul style="list-style-type: none"> <li>Optical Fiber Communication</li> <li>Free-space Optical Communication</li> </ul>			
<b>Specifications</b>	<b>WSLD-1310-020m-1-PD</b>		
Center Wavelength@25°C	1310+/-5nm		
Spectral Width (FWHM)	≤0.3 (DFB)		
Output Power	20mw		
Laser Type	DFB		
Reverse current (PD) $I_{rp}$	2mA		
Reverse voltage (PD) $V_{rp}$	20V		
Beam Divergence (FWHM)	20° <sub>⊥</sub> x 9° <sub>//</sub>		
Slope Efficiency	0.15mW/mA		
Threshold Current (Typ.)	≤30mA		
Operating Current (Typ.)	≤100mA		
Operating Voltage	≤1.8V		
Package Style	TO18		
Window Type	Flat Window (Optional)		
	Non-Spherical-Lens Window (standard)		

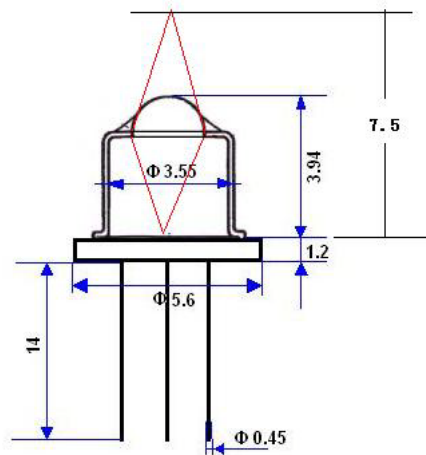
Modulation Frequency upto 2GHz



**Data Curve**



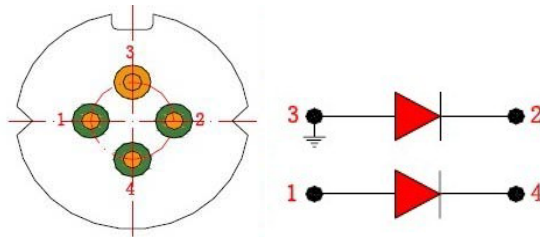
**Package**



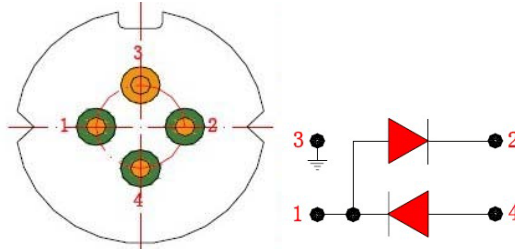
Wavespectrum Laser, Inc.  
[www.wavespectrum-laser.com](http://www.wavespectrum-laser.com)  
[wavespectrumlaser@gmail.com](mailto:wavespectrumlaser@gmail.com)



Bottom View



<b>A Type</b>	1	PD(+)
	2	LD(-)
	3	LD(+)
	4	PD(-)



<b>B Type</b>	1	LD(+)&PD(-)
	2	LD(-)
	3	NC
	4	PD(+)

Electrically shorten LD module and store in non-extreme conditions.  
Suggest using the constant current power supply.

