


405nm 500mw Laser Diode|0.5W Power

405nm LD| 500mw Power|5.6 mm Package

WSLD-405-500m-1

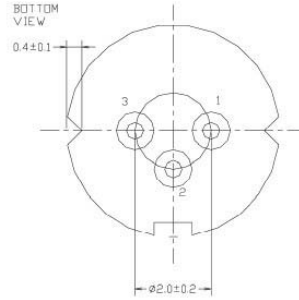
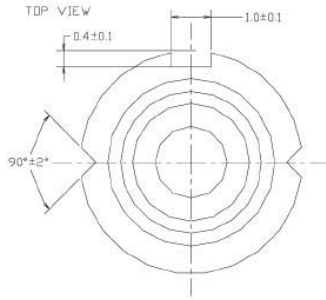
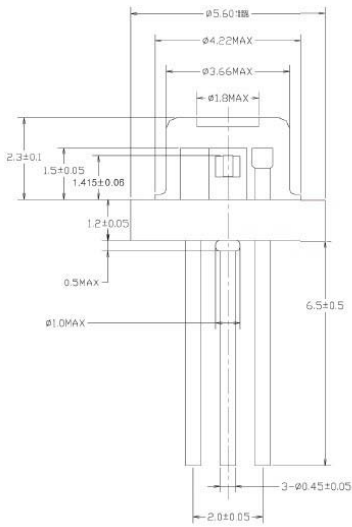
Wavespectrum Laser, Inc.

www.wavespectrum-laser.com

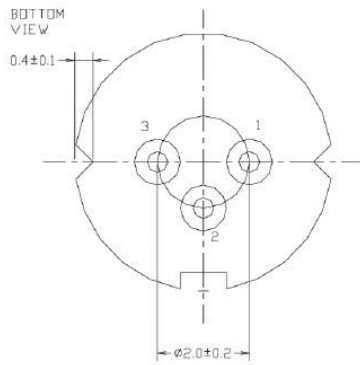
405nm Laser Diode		500mw		Wavespectrum Laser, Inc	
PARAMETER	SYMBOL	VALUE		UNIT	
Reverse Voltage	V_r	2.0		V	
Operating Temperature	T_{op}	0 ~ +30		°C	
Storage Temperature	T_{stg}	-40 ~ +85		°C	
Lead soldering temperature (10 sec.)	T_{is}	260		°C	
Features: <ul style="list-style-type: none"> 405nm High Output Power 5.6mm package 					
Applications: <ul style="list-style-type: none"> Medical laser treatment Printing Others 					
Specifications		WSLD-405-500m-1			
		Min	Type	Max	
Center Wavelength@25°C		398nm	405nm	410nm	
Spectral Width (FWHM)		2.0nm			
Output Power (CW)		400mW	----	500mW	
Beam Mode		Multimode			
Beam Divergence (FWHM)		$30^\circ \pm x 5^\circ //$	----	$60^\circ \pm x 25^\circ //$	
Recommended Operating Temperature		25 °C			
Slope Efficiency		----	1.3mW/mA	1.5mW/mA	
Threshold Current (Typ.)		----	110mA	160mA	
Operating Current (Typ.)		----	400mA	420mA	
Operating Voltage		----	4.9V	5.5V	
Package Style		5.6mm			



TO18(5.6mm) Package View



PIN Bottom View:



1	LD(+)
2	GND
3	LD(-)

Electrically shorten LD module and store in non-extreme conditions.

Suggest using the constant current power supply.

