


760nm~770nm 2W TO3 Package Laser Diode

770nm Laser Diode | High Power LD | 2W Power | TO Package

WSLD-770-002-3

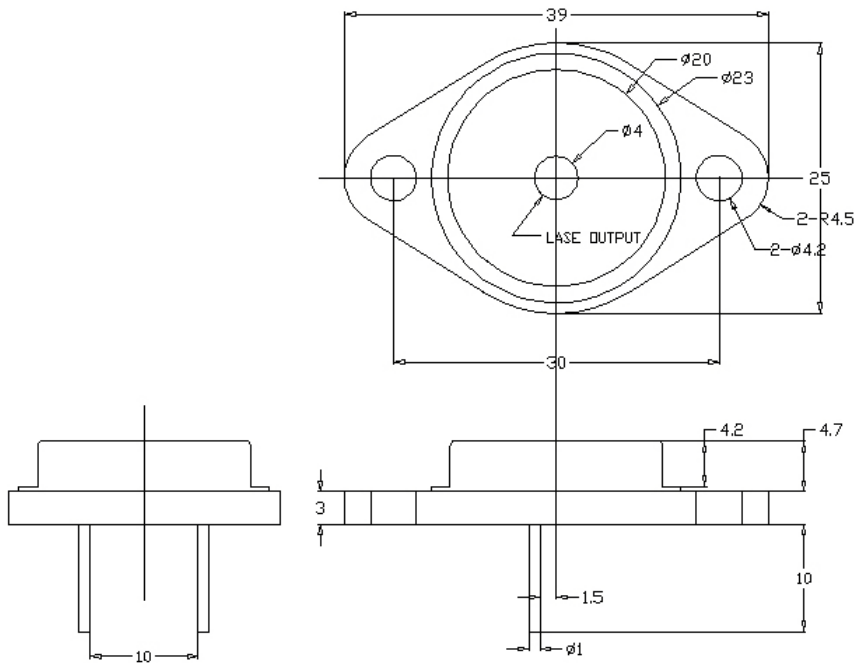
Wavespectrum Laser, Inc.

www.wavespectrum-laser.com

770nm Laser Diode 2W		Wavespectrum Laser, Inc	
PARAMETER	SYMBOL	VALUE	UNIT
Reverse Voltage	V_r	2.0	V
Operating Temperature	T_{op}	-10 ~ +30	°C
Storage Temperature	T_{stg}	-40 ~ +85	°C
Lead soldering temperature (10 sec.)	T_{is}	260	°C
Features: <ul style="list-style-type: none"> 770nm Multimode TO3,C-mount package 			
Applications: <ul style="list-style-type: none"> Medical laser treatment Laser indicator Others 			
Specifications	WSLD-770-002-3		
	Min	Type	Max
Center Wavelength@25°C	----	770nm +/- 10nm	----
Spectral Width (FWHM)		2.0nm	
Output Power	----	2W	----
Emitter Area	----	150x1µm	----
Beam Divergence (FWHM)	35°± x 7°//	34°± x 8°//	38°± x 10°//
Temperature Coefficient of Wavelength	----	0.3nm / °C	----
Slope Efficiency	0.9W/A	1.0W/A	1.2W/A
Threshold Current (Typ.)	----	0.3A	0.5A
Operating Current (Typ.)	----	2.0A	2.7A
Operating Voltage	----	2.0V	2.5V
Package Style	TO3/C-mount		
Recommended Operating Temperature	25°C		



TO3 Package View



Electrically shorten LD module and store in non-extreme conditions.

Suggest using the constant current power supply.

