

780nm~785nm 1W TO Package LD| High Power Laser Diode

785nm Laser Diode| High Power LD| 1W Power| TO3 Package

WSLD-785-001-3

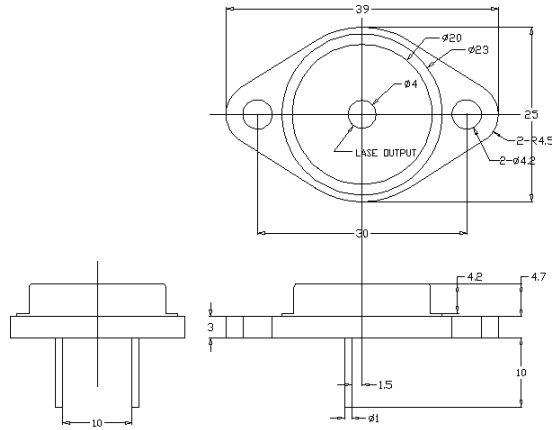
Wavespectrum Laser, Inc.

www.wavespectrum-laser.com

785nm Laser Diode 1W		Wavespectrum Laser, Inc	
PARAMETER	SYMBOL	VALUE	UNIT
Reverse Voltage	V_r	2.0	V
Operating Temperature	T_{op}	-10 ~ +30	°C
Storage Temperature	T_{stg}	-40 ~ +85	°C
Lead soldering temperature (10 sec.)	T_{is}	260	°C
Features: <ul style="list-style-type: none"> 785nm Multimode TO3,C-mount package 			
Applications: <ul style="list-style-type: none"> Medical laser treatment Laser indicator Laser detector 			
Specifications		WSLD-785-001-3	
		Min	Type
Center Wavelength@25°C		----	785nm +/- 10nm
Spectral Width (FWHM)			2.0nm
Output Power		----	1W
Emitter Area		----	100x1μm
Beam Divergence (FWHM)		35°± x 7°//	40°± x 8°//
Temperature Coefficient of Wavelength		----	0.28nm / °C
Slope Efficiency		0.9W/A	1.0W/A
Threshold Current (Typ.)		----	0.24A
Operating Current (Typ.)		----	1.2A
Operating Voltage		----	2.0V
Package Style		TO3/C-mount	



TO3 Package View



Electrically shorten LD module and store in non-extreme conditions.
 Suggest using the constant current power supply.

